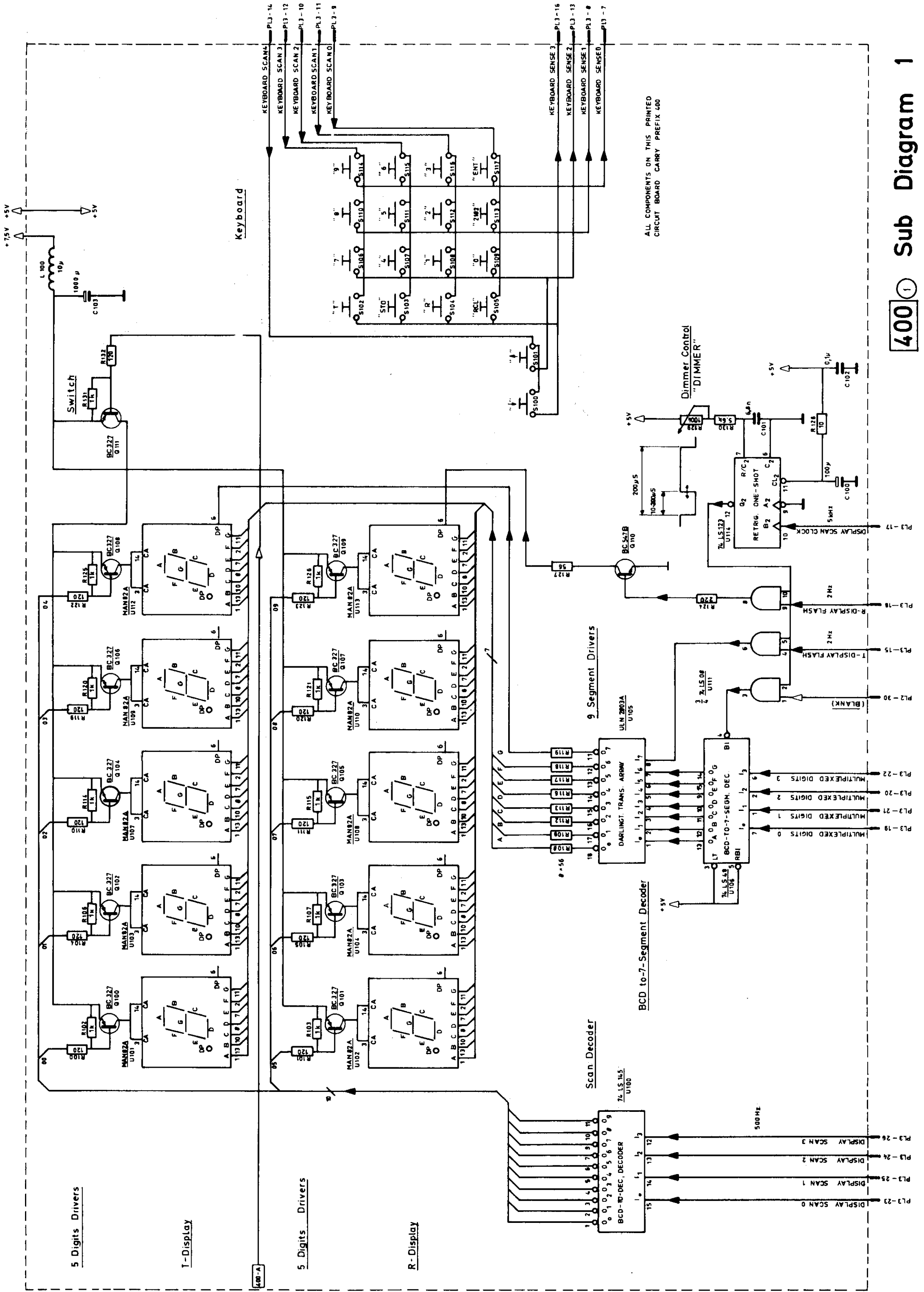


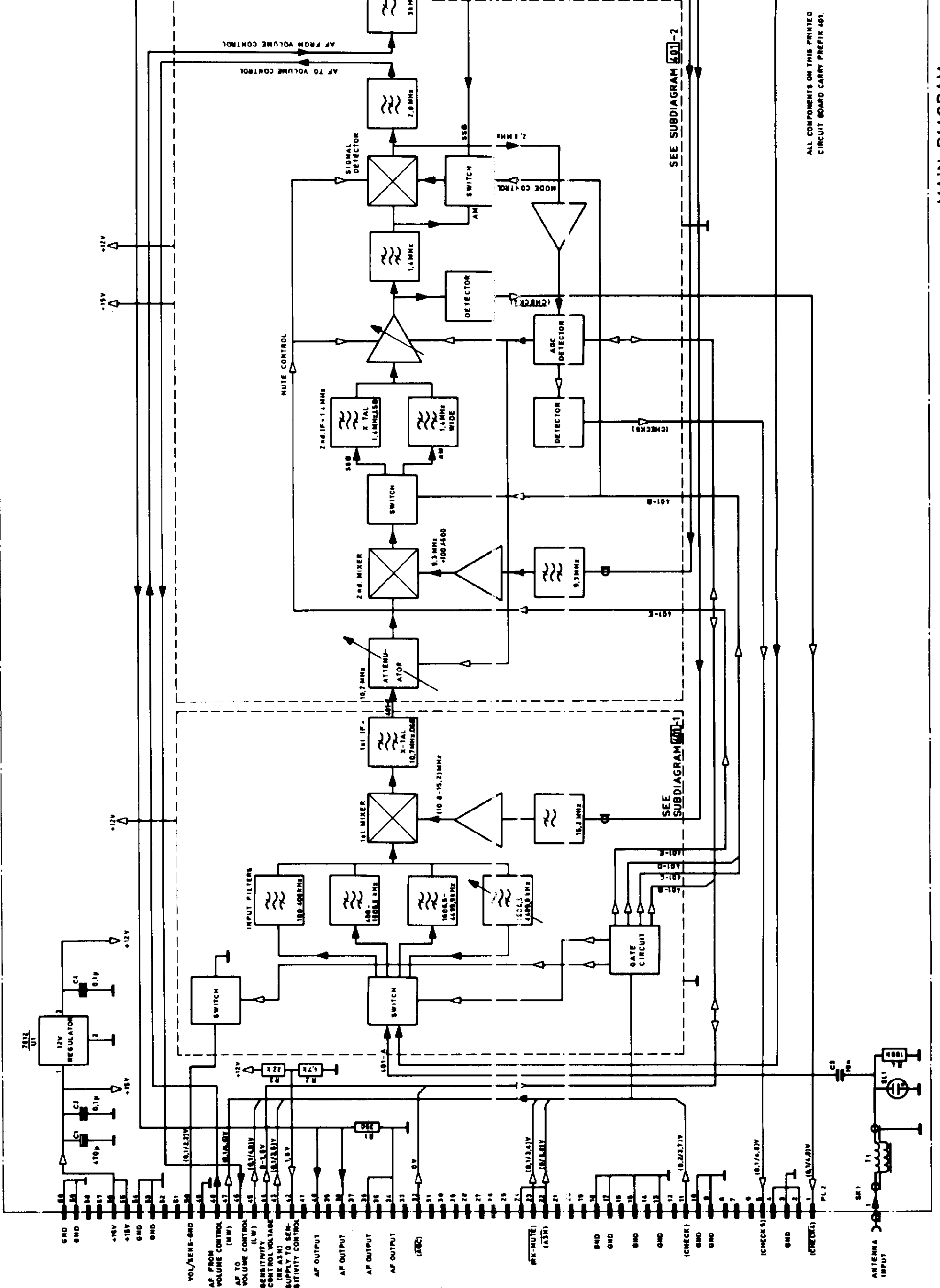
ALL COMPONENTS ON THIS PRINTED CIRCUIT BOARD CARRY PREFIX 400  
 NOTE 1: WHEN DIODE IS REMOVED TX A3H CANNOT BE SELECTED FROM THE MODE SWITCH  
 NOTE 2: STRAPS TO BE REMOVED WHEN DUMMY LOAD IS INSTALLED IN TU 6700/6400  
 NOTE 3: DIODE TO BE INSERTED WHEN DUMMY LOAD IS INSTALLED IN TU 6700/6400

See Sub Diagram 400-1

MAIN DIAGRAM  
 FRONT PANEL BOARD 993 4400-1A

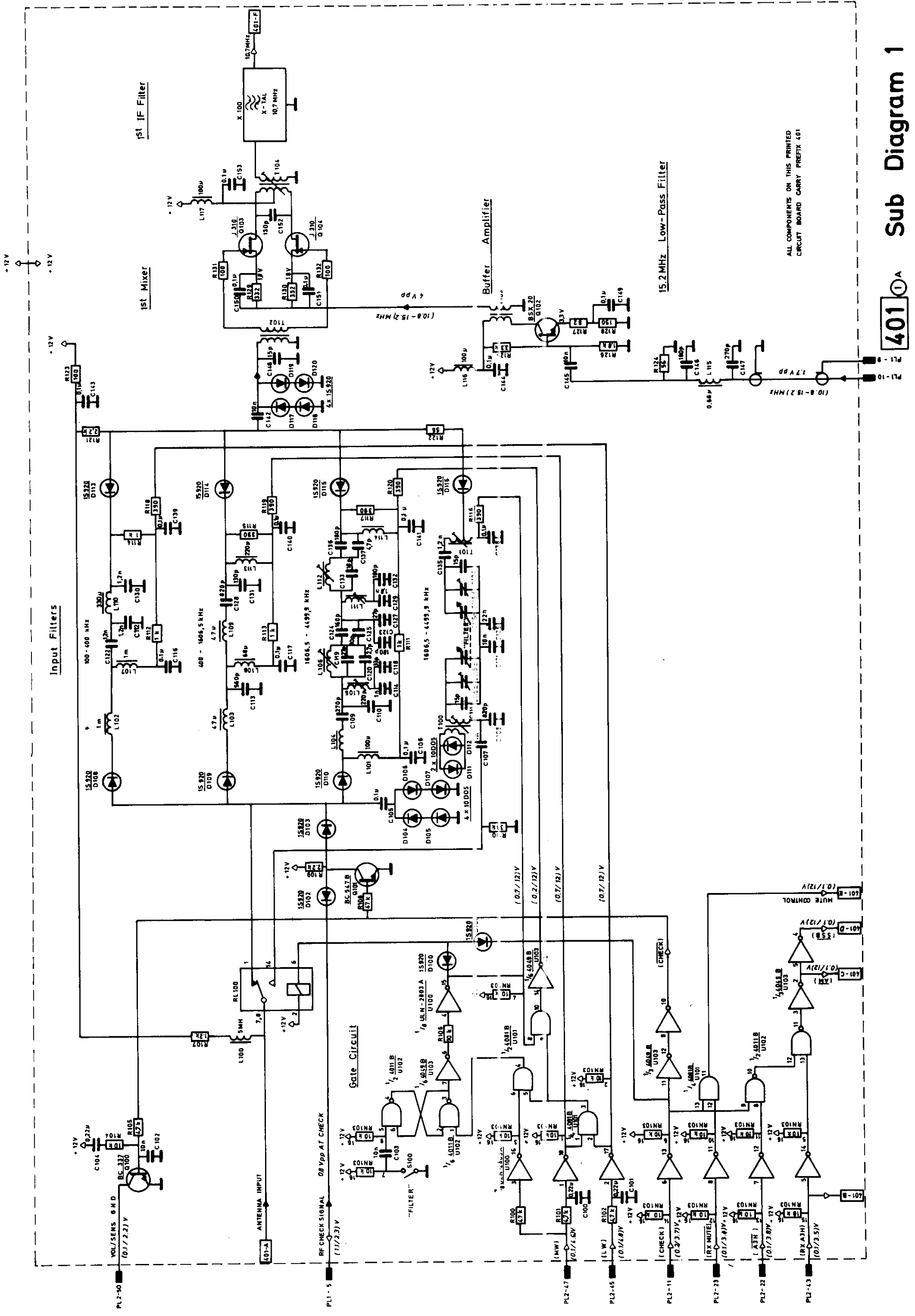


ALL COMPONENTS ON THIS PRINTED  
CIRCUIT BOARD CARRY PREFIX 400



ALL COMPONENTS ON THIS PRINTED  
CIRCUIT BOARD CARRY PREFIX 491.

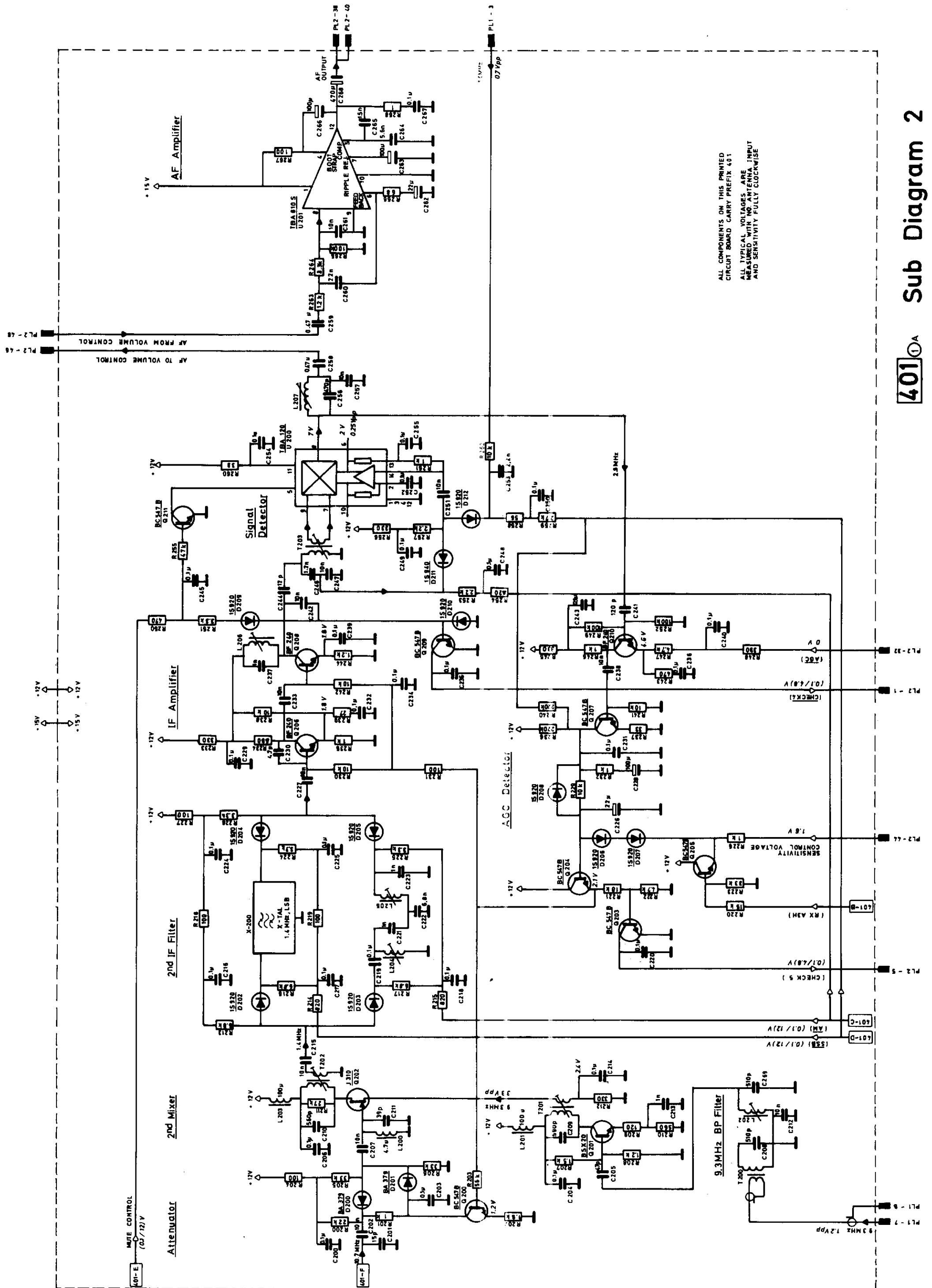
MAIN DIAGRAM  
RECEIVER 993 4



Sub Diagram 1

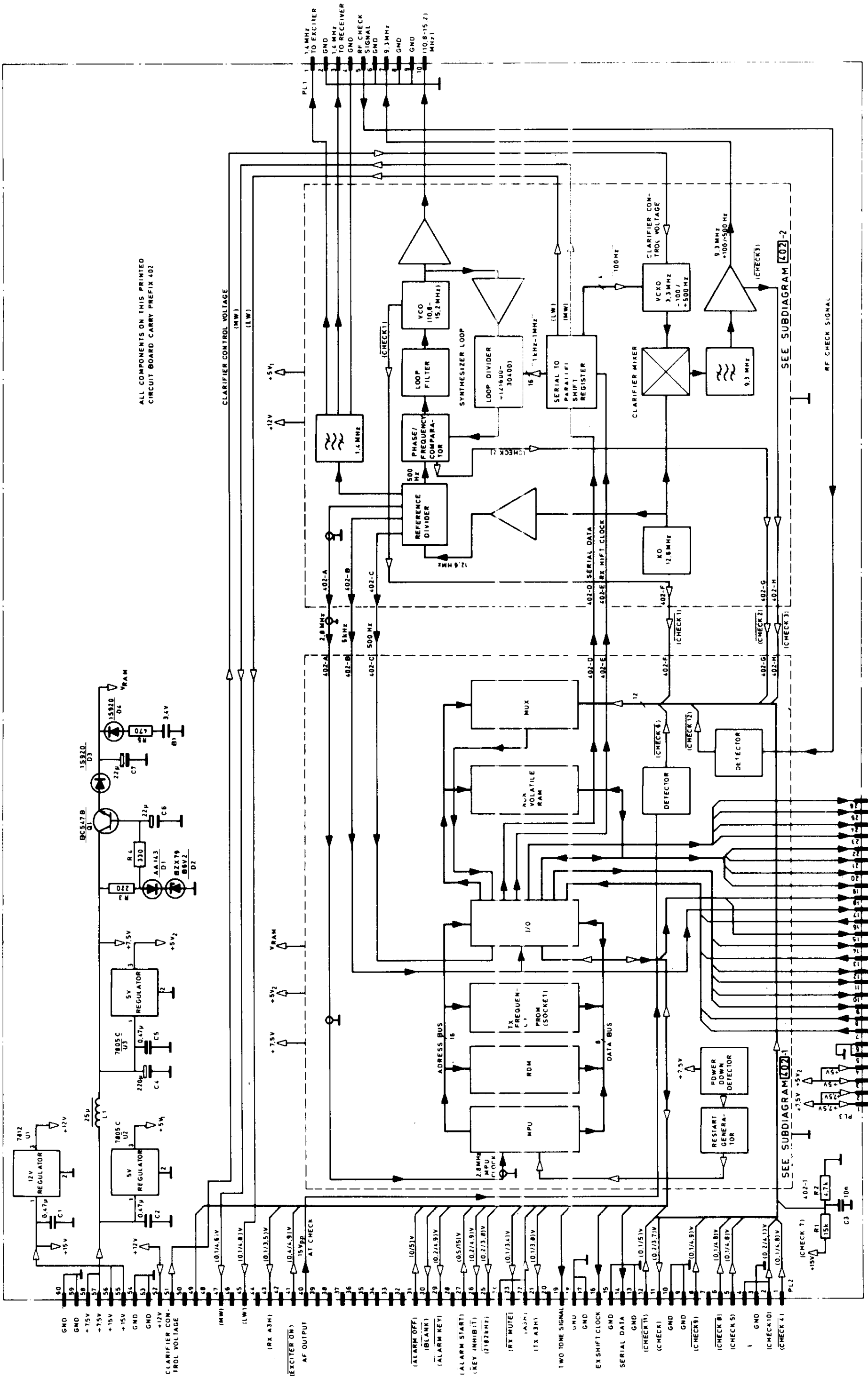
401 1A

ALL COMPONENTS ON THIS PRINTED CIRCUIT BOARD CARRY PREFIX 401



ALL COMPONENTS ON THIS PRINTED  
CIRCUIT BOARD CARRY PREFIX 401  
ALL TYPICAL VOLTAGES ARE  
MEASURED WITH NO ANTENNA INPUT  
AND SENSITIVITY FULLY CLOCKWISE

401 OA Sub Diagram 2



ALL COMPONENTS ON THIS PRINTED  
CIRCUIT BOARD CARRY PREFIX 402

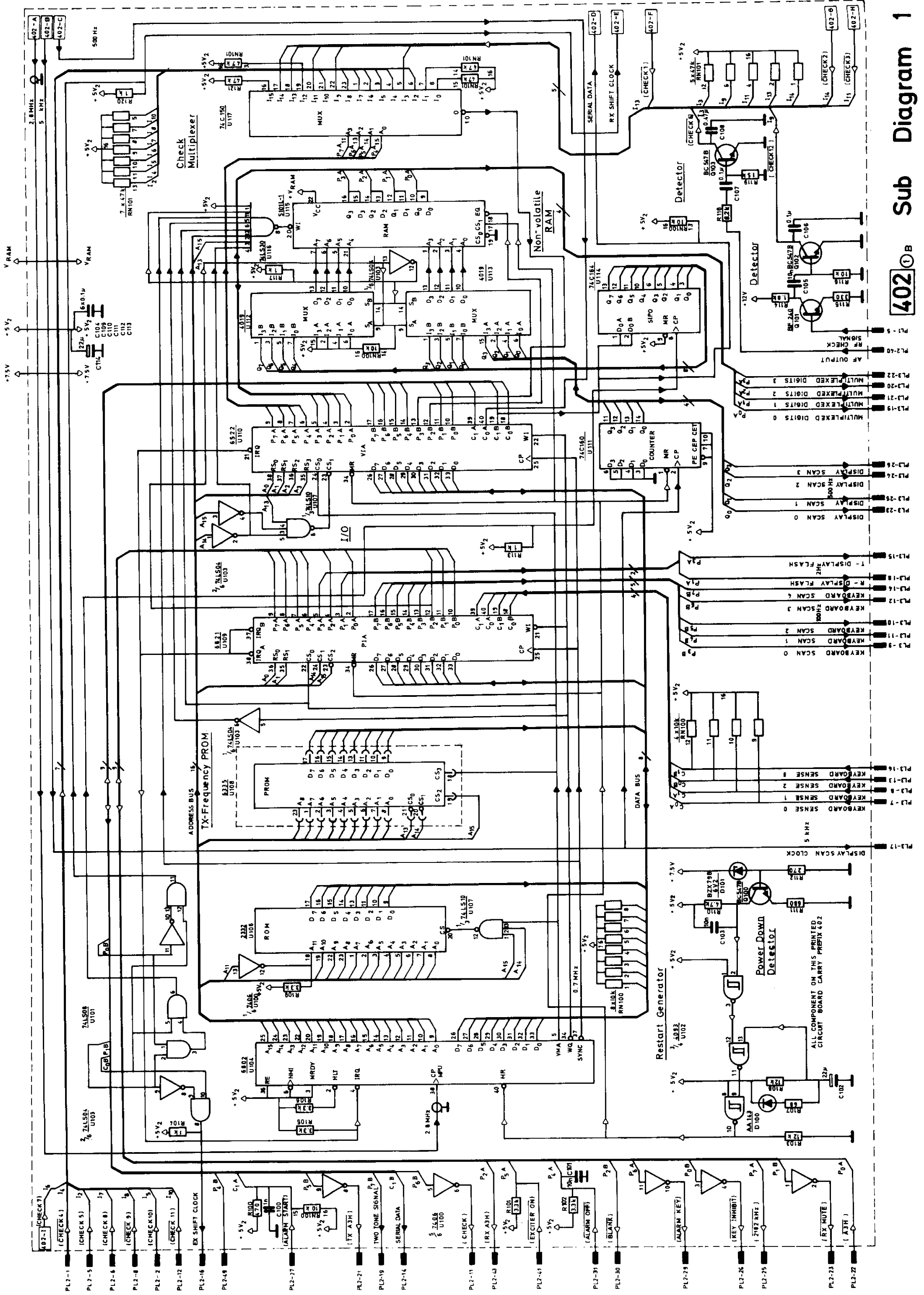
CLARIFIER CONTROL VOLTAGE  
(IMW)

SEE SUBDIAGRAM [402]-2

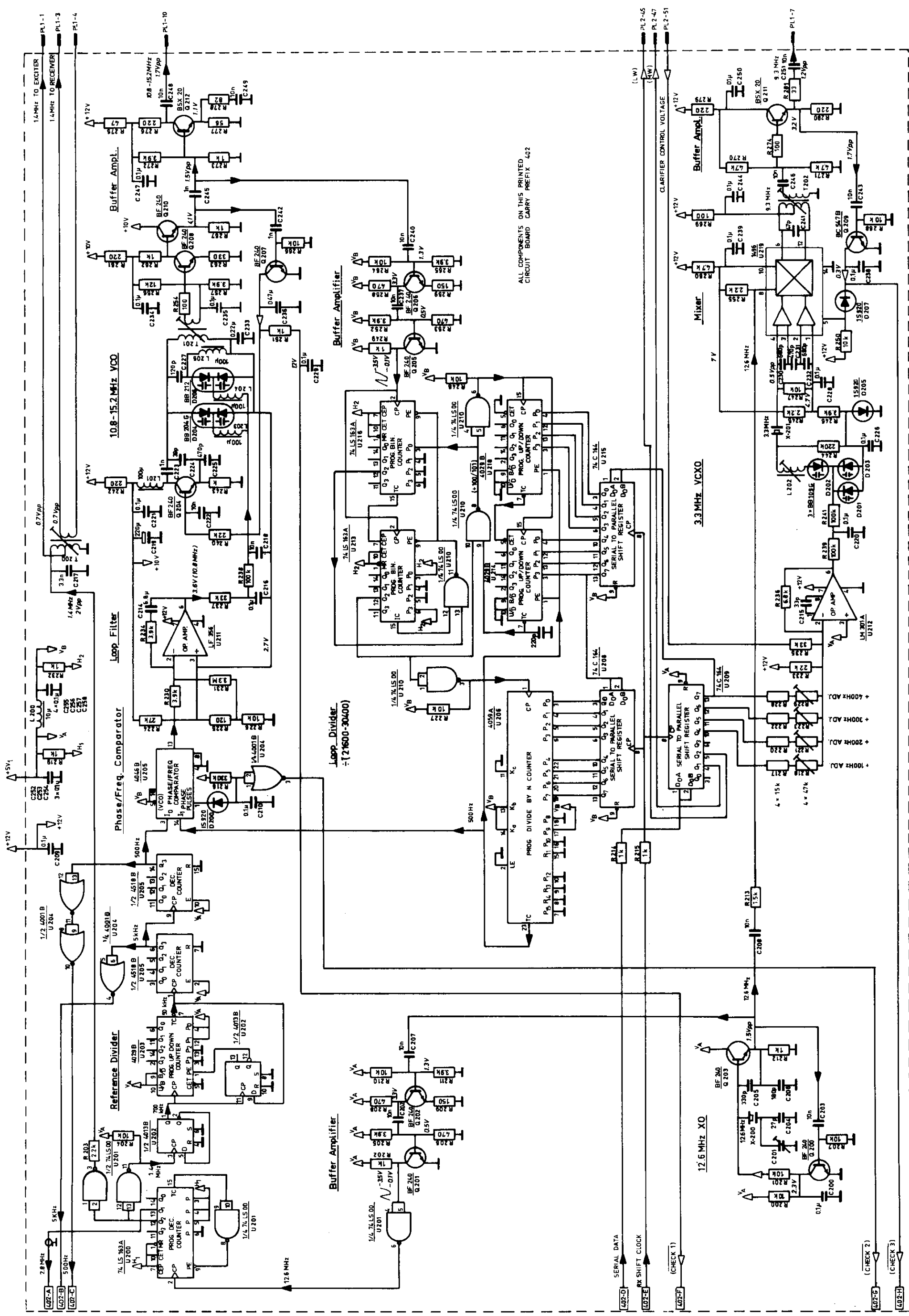
SEE SUBDIAGRAM [402]-1

- KEYBOARD SENSE 0
- KEYBOARD SENSE 1
- KEYBOARD SENSE 2
- KEYBOARD SENSE 3
- KEYBOARD SENSE 4
- KEYBOARD SENSE 5
- KEYBOARD SENSE 6
- KEYBOARD SENSE 7
- KEYBOARD SENSE 8
- KEYBOARD SENSE 9
- KEYBOARD SENSE 10
- KEYBOARD SENSE 11
- KEYBOARD SENSE 12
- KEYBOARD SENSE 13
- KEYBOARD SENSE 14
- KEYBOARD SENSE 15
- KEYBOARD SENSE 16
- KEYBOARD SENSE 17
- KEYBOARD SENSE 18
- KEYBOARD SENSE 19
- KEYBOARD SENSE 20
- KEYBOARD SENSE 21
- KEYBOARD SENSE 22
- KEYBOARD SENSE 23
- KEYBOARD SENSE 24
- KEYBOARD SENSE 25
- KEYBOARD SENSE 26
- KEYBOARD SENSE 27
- KEYBOARD SENSE 28
- KEYBOARD SENSE 29
- KEYBOARD SENSE 30
- KEYBOARD SENSE 31
- KEYBOARD SENSE 32
- KEYBOARD SENSE 33
- KEYBOARD SENSE 34
- KEYBOARD SENSE 35
- KEYBOARD SENSE 36
- KEYBOARD SENSE 37
- KEYBOARD SENSE 38
- KEYBOARD SENSE 39
- KEYBOARD SENSE 40
- KEYBOARD SENSE 41
- KEYBOARD SENSE 42
- KEYBOARD SENSE 43
- KEYBOARD SENSE 44
- KEYBOARD SENSE 45
- KEYBOARD SENSE 46
- KEYBOARD SENSE 47
- KEYBOARD SENSE 48
- KEYBOARD SENSE 49
- KEYBOARD SENSE 50
- KEYBOARD SENSE 51
- KEYBOARD SENSE 52
- KEYBOARD SENSE 53
- KEYBOARD SENSE 54
- KEYBOARD SENSE 55
- KEYBOARD SENSE 56
- KEYBOARD SENSE 57
- KEYBOARD SENSE 58
- KEYBOARD SENSE 59
- KEYBOARD SENSE 60
- KEYBOARD SENSE 61
- KEYBOARD SENSE 62
- KEYBOARD SENSE 63
- KEYBOARD SENSE 64
- KEYBOARD SENSE 65
- KEYBOARD SENSE 66
- KEYBOARD SENSE 67
- KEYBOARD SENSE 68
- KEYBOARD SENSE 69
- KEYBOARD SENSE 70
- KEYBOARD SENSE 71
- KEYBOARD SENSE 72
- KEYBOARD SENSE 73
- KEYBOARD SENSE 74
- KEYBOARD SENSE 75
- KEYBOARD SENSE 76
- KEYBOARD SENSE 77
- KEYBOARD SENSE 78
- KEYBOARD SENSE 79
- KEYBOARD SENSE 80
- KEYBOARD SENSE 81
- KEYBOARD SENSE 82
- KEYBOARD SENSE 83
- KEYBOARD SENSE 84
- KEYBOARD SENSE 85
- KEYBOARD SENSE 86
- KEYBOARD SENSE 87
- KEYBOARD SENSE 88
- KEYBOARD SENSE 89
- KEYBOARD SENSE 90
- KEYBOARD SENSE 91
- KEYBOARD SENSE 92
- KEYBOARD SENSE 93
- KEYBOARD SENSE 94
- KEYBOARD SENSE 95
- KEYBOARD SENSE 96
- KEYBOARD SENSE 97
- KEYBOARD SENSE 98
- KEYBOARD SENSE 99
- KEYBOARD SENSE 100



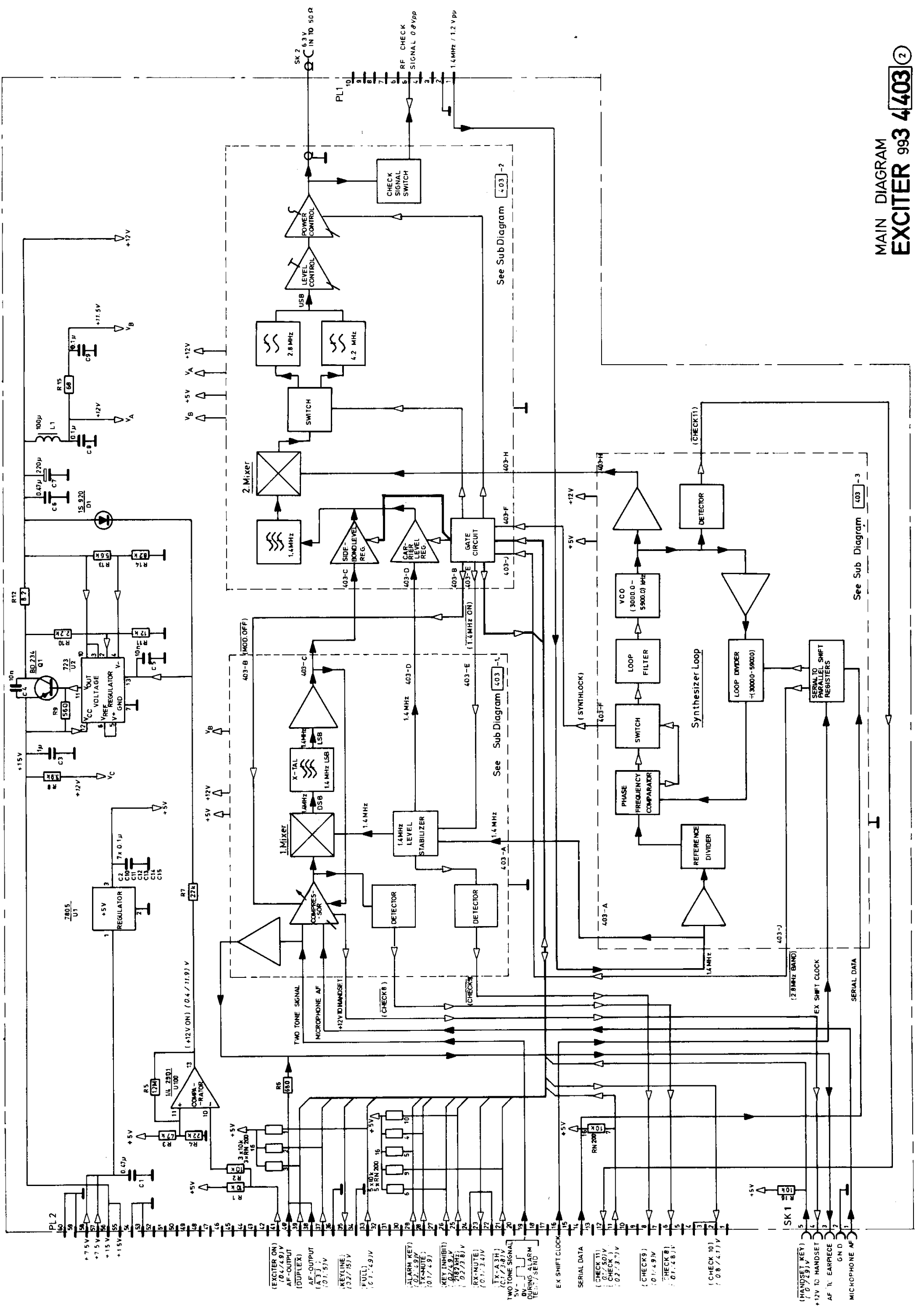


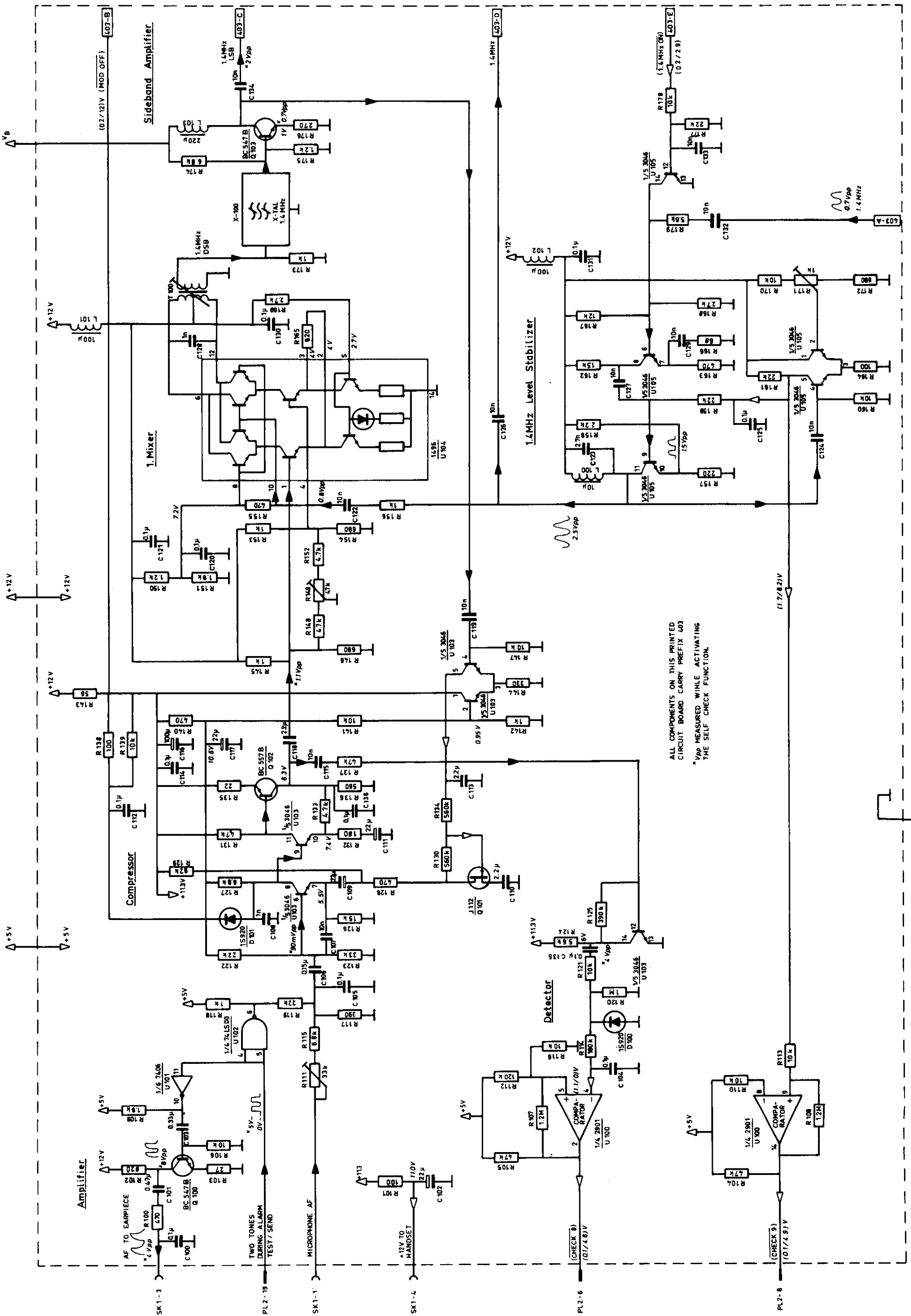
402-B Sub Diagram 1

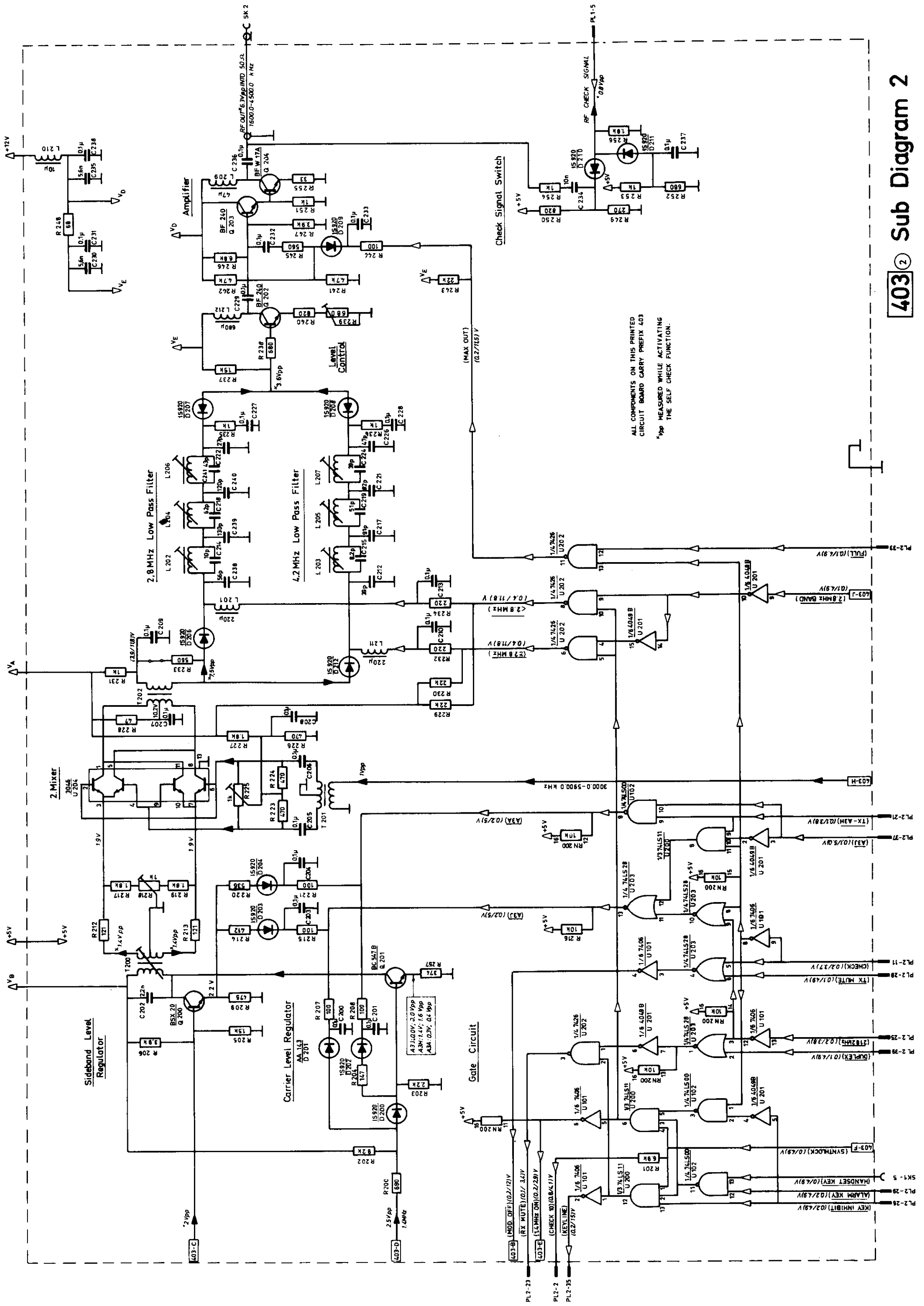


402-1 A Sub Diagram 2

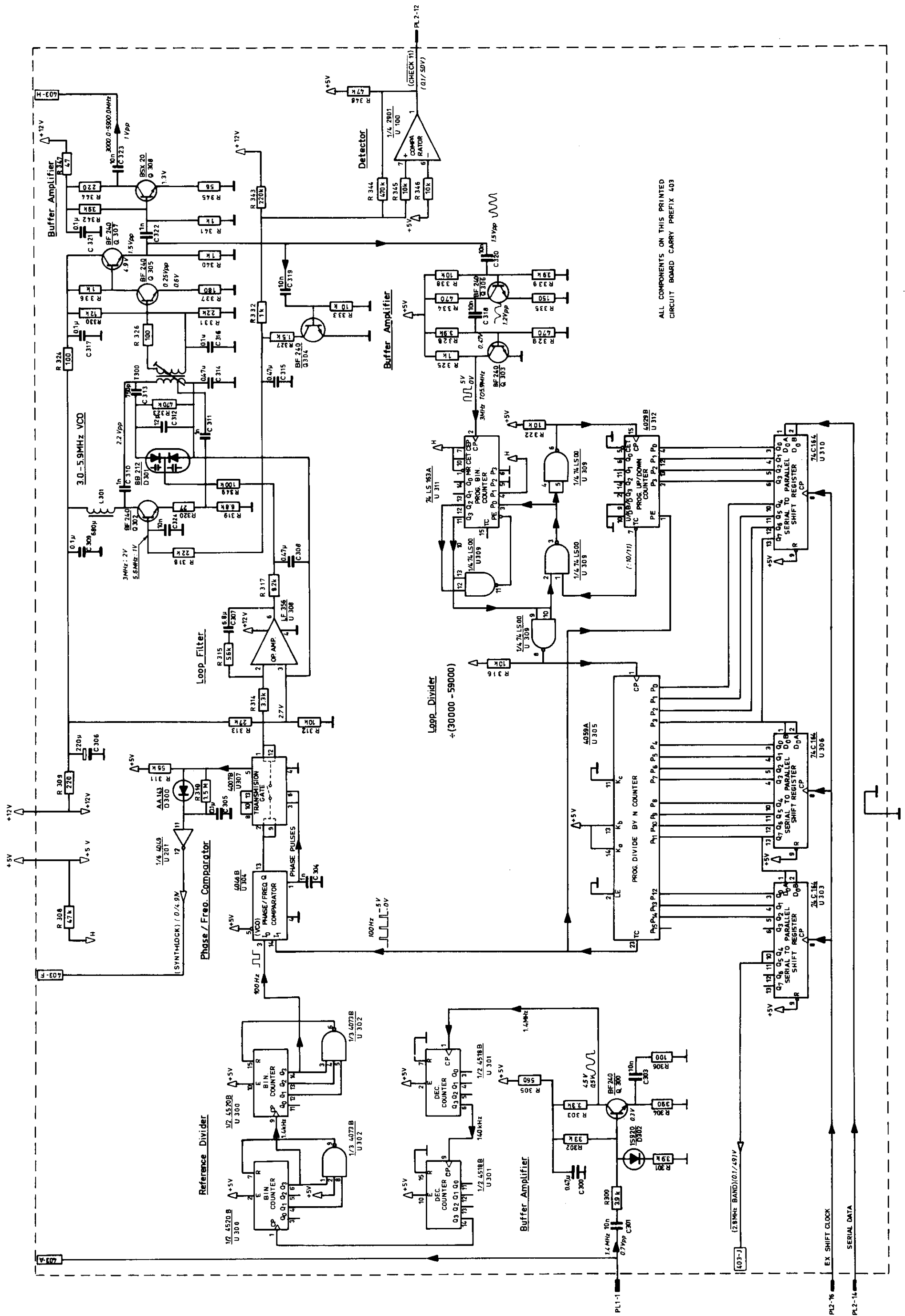
MAIN DIAGRAM  
**EXCITER 993 4403** ②





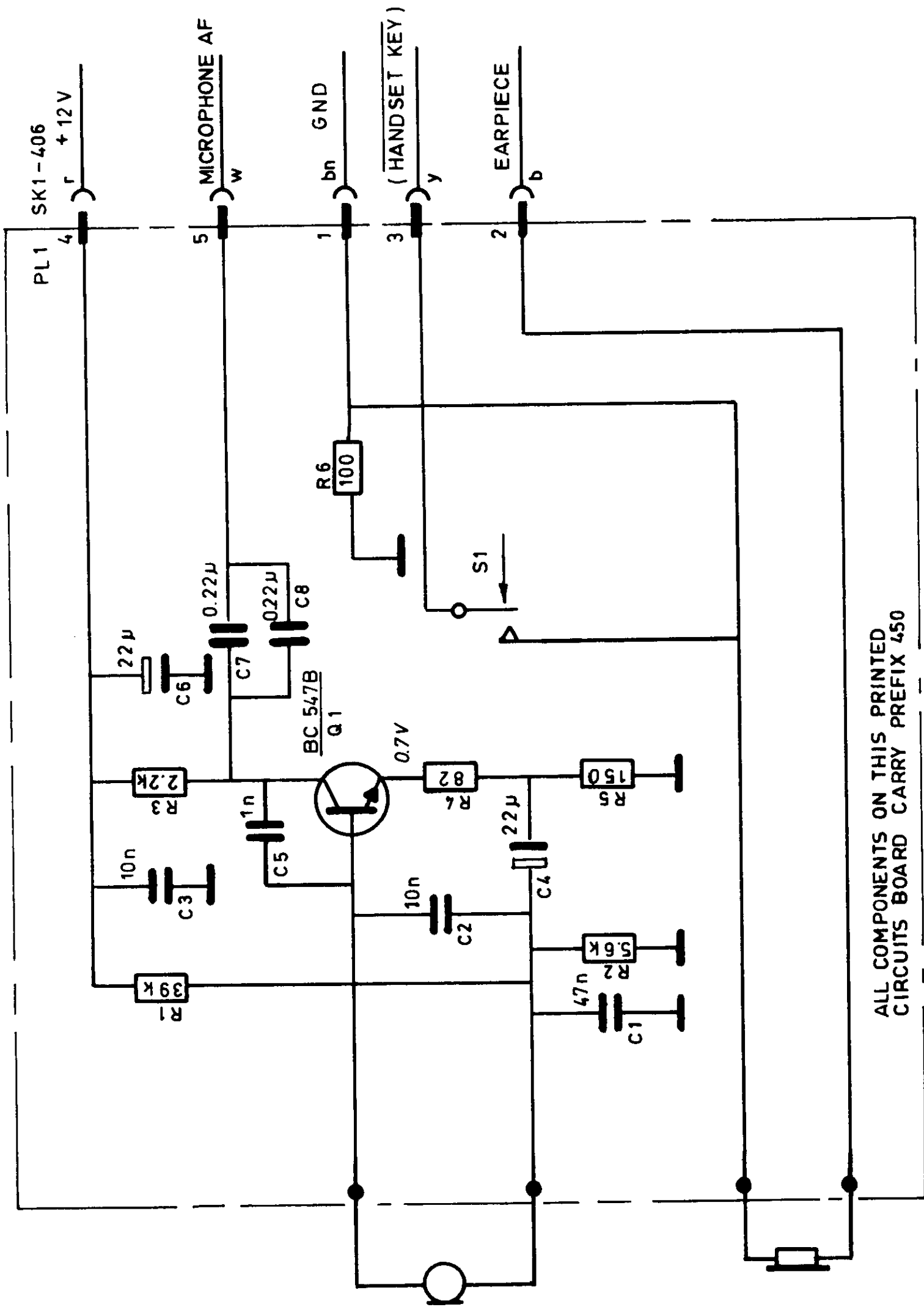


403 Sub Diagram 2

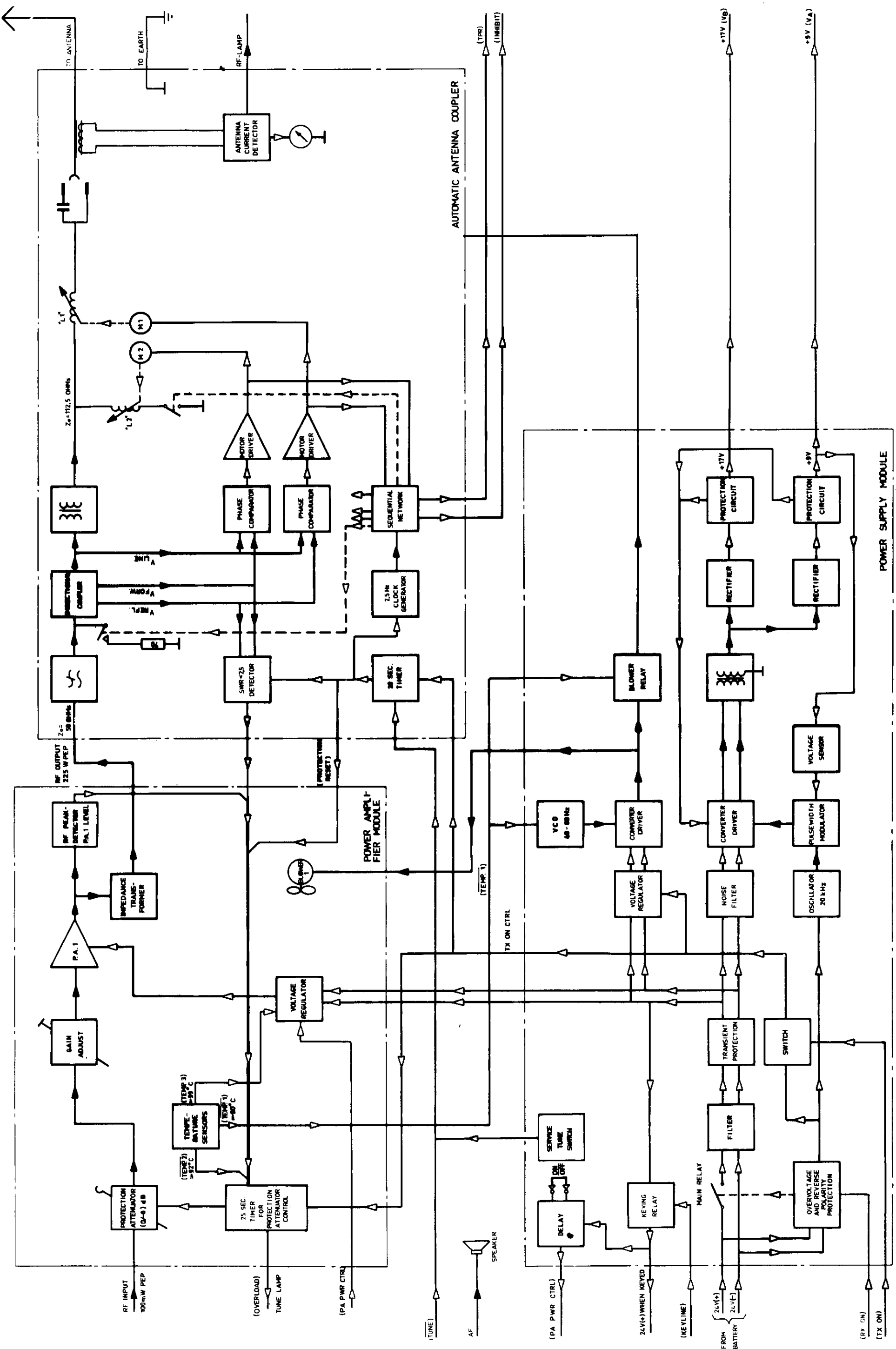


ALL COMPONENTS ON THIS PRINTED  
CIRCUIT BOARD CARRY PREFIX 403

403 Sub Diagram 3

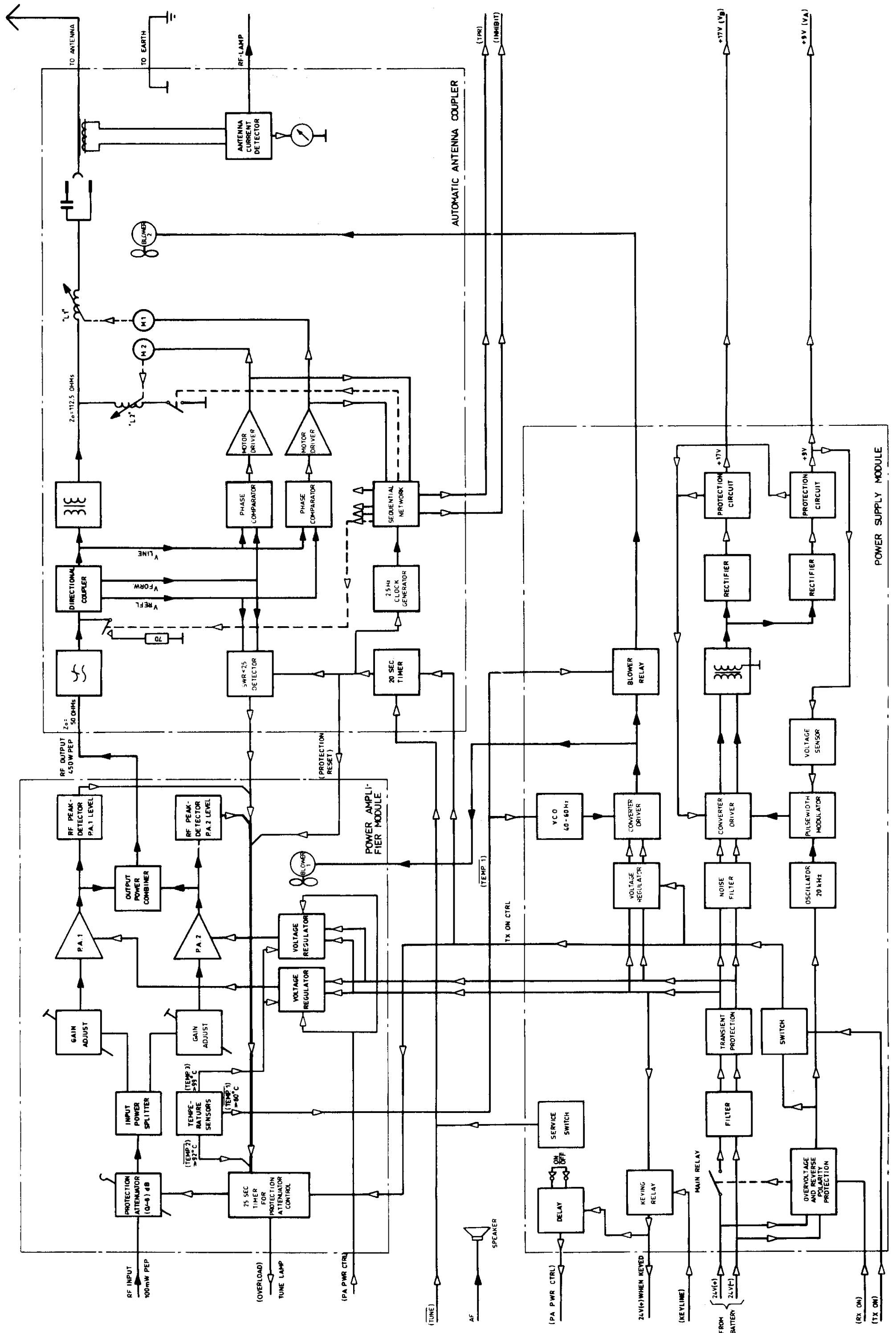


ALL COMPONENTS ON THIS PRINTED  
CIRCUITS BOARD CARRY PREFIX 450

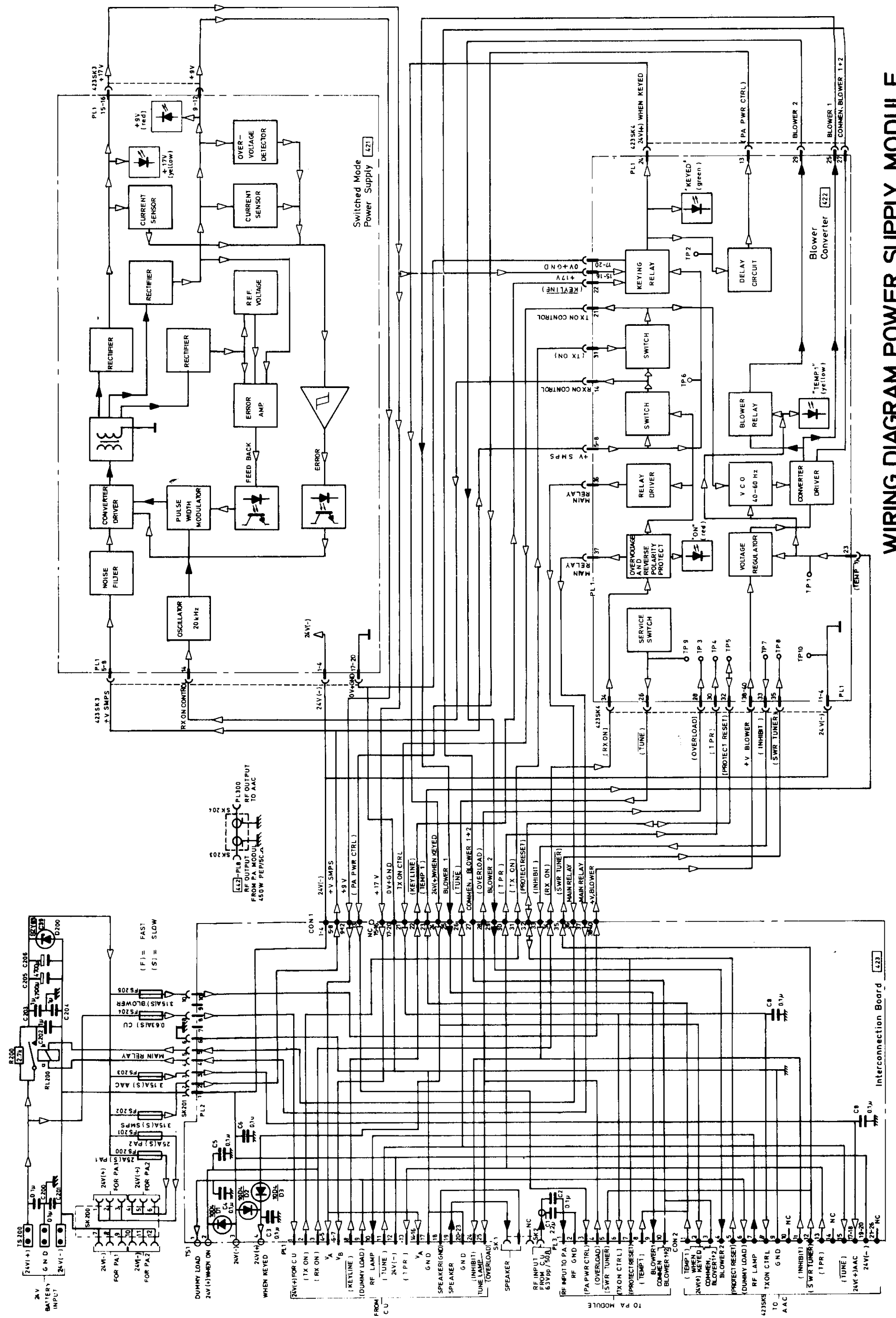


BLOCK DIAGRAM, TRANSMITTER UNIT TU 6200

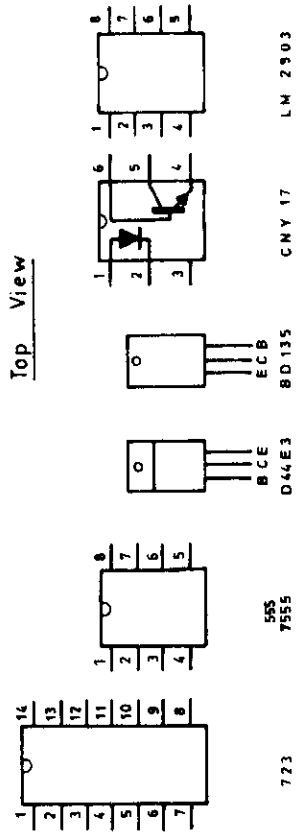
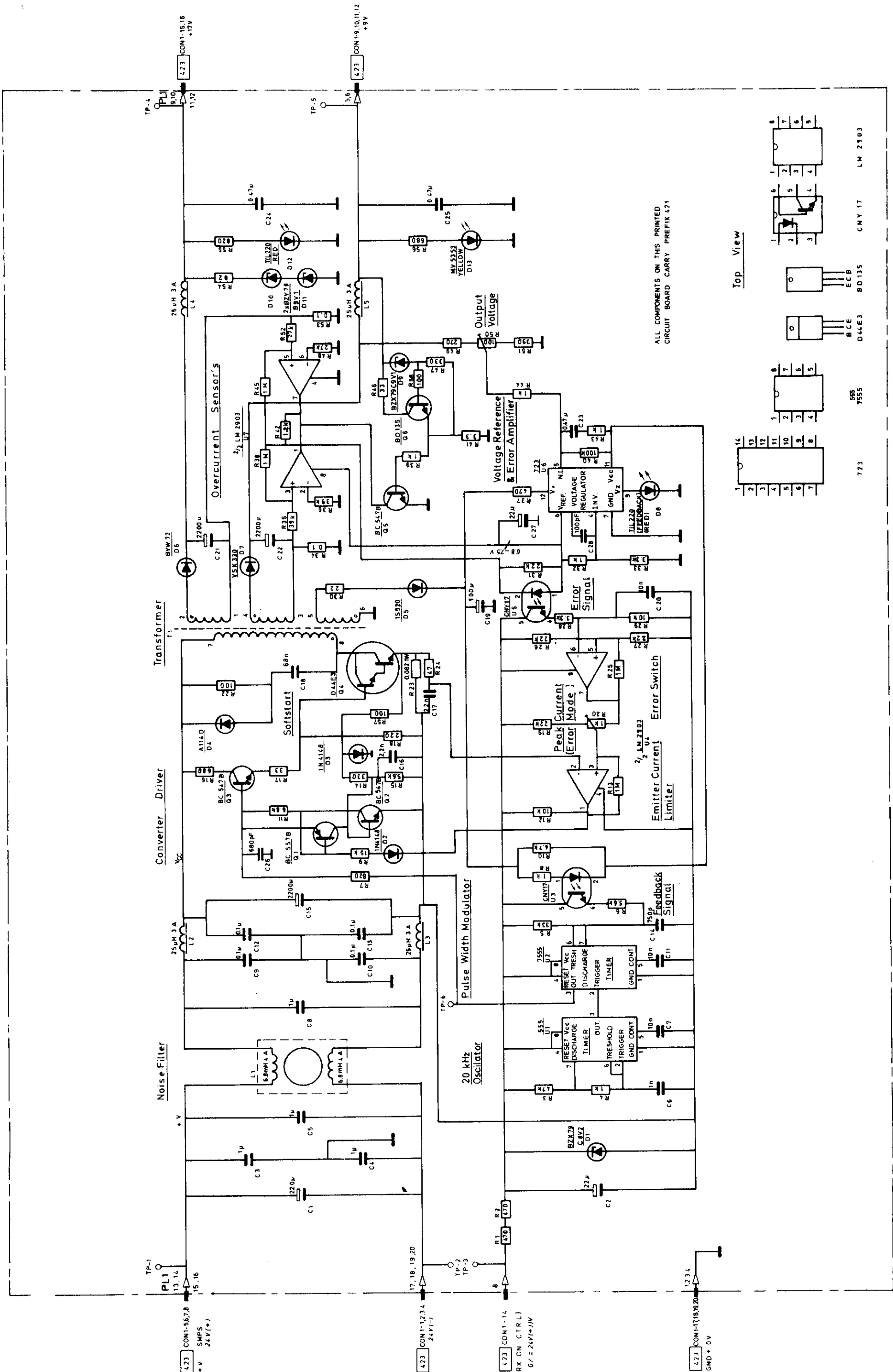


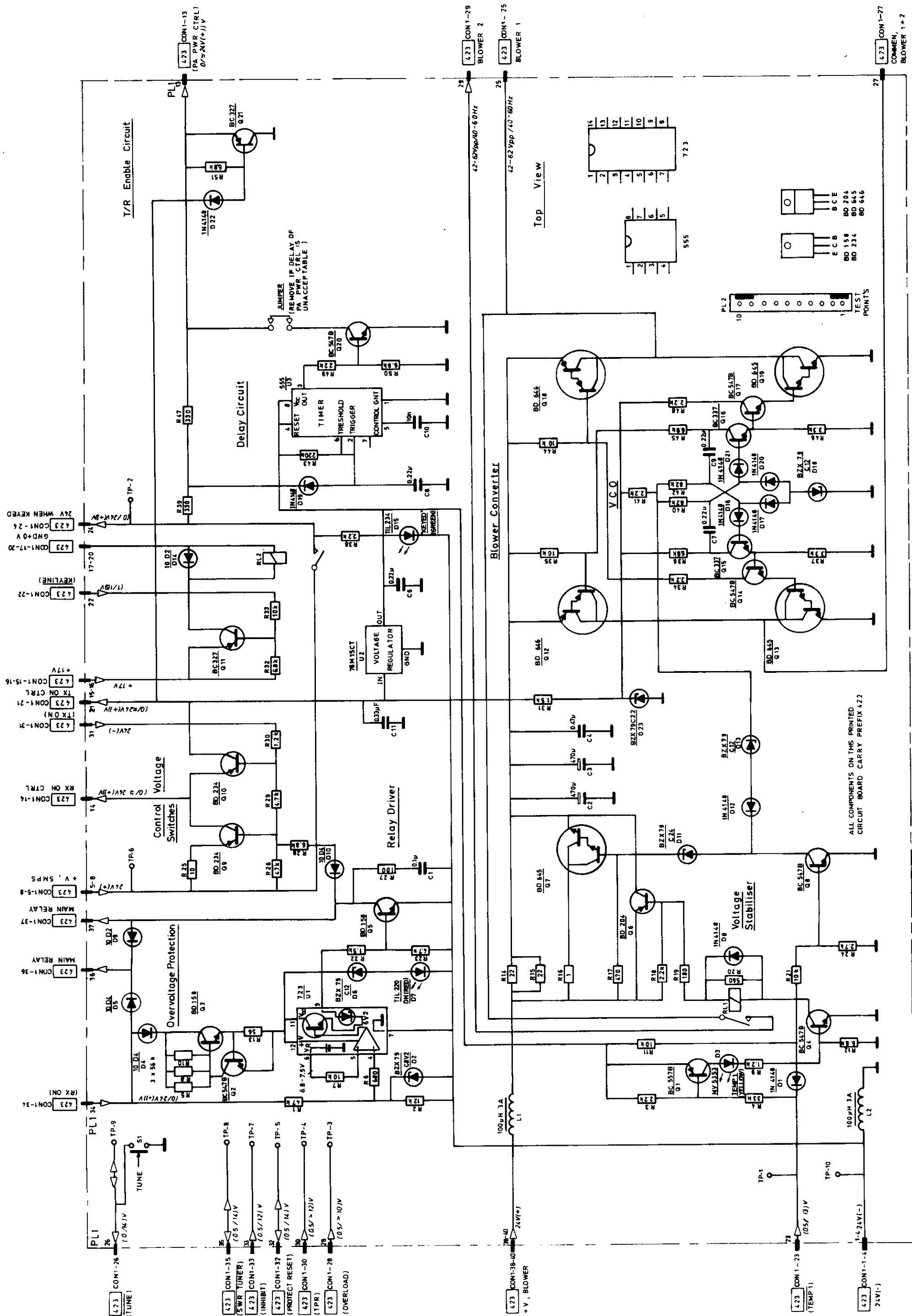


BLOCK DIAGRAM, TRANSMITTER UNIT TU 6400

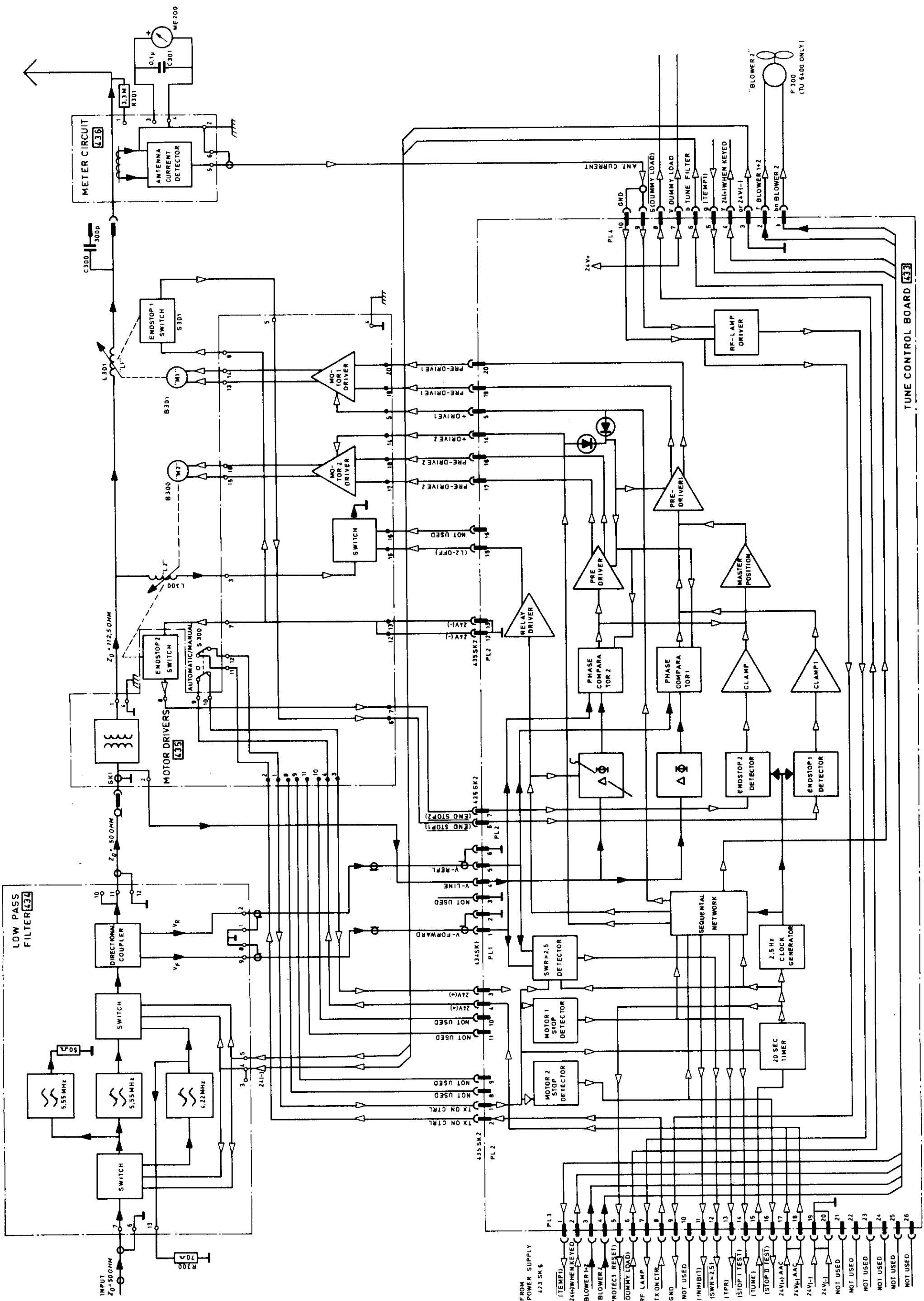


WIRING DIAGRAM, POWER SUPPLY MODULE

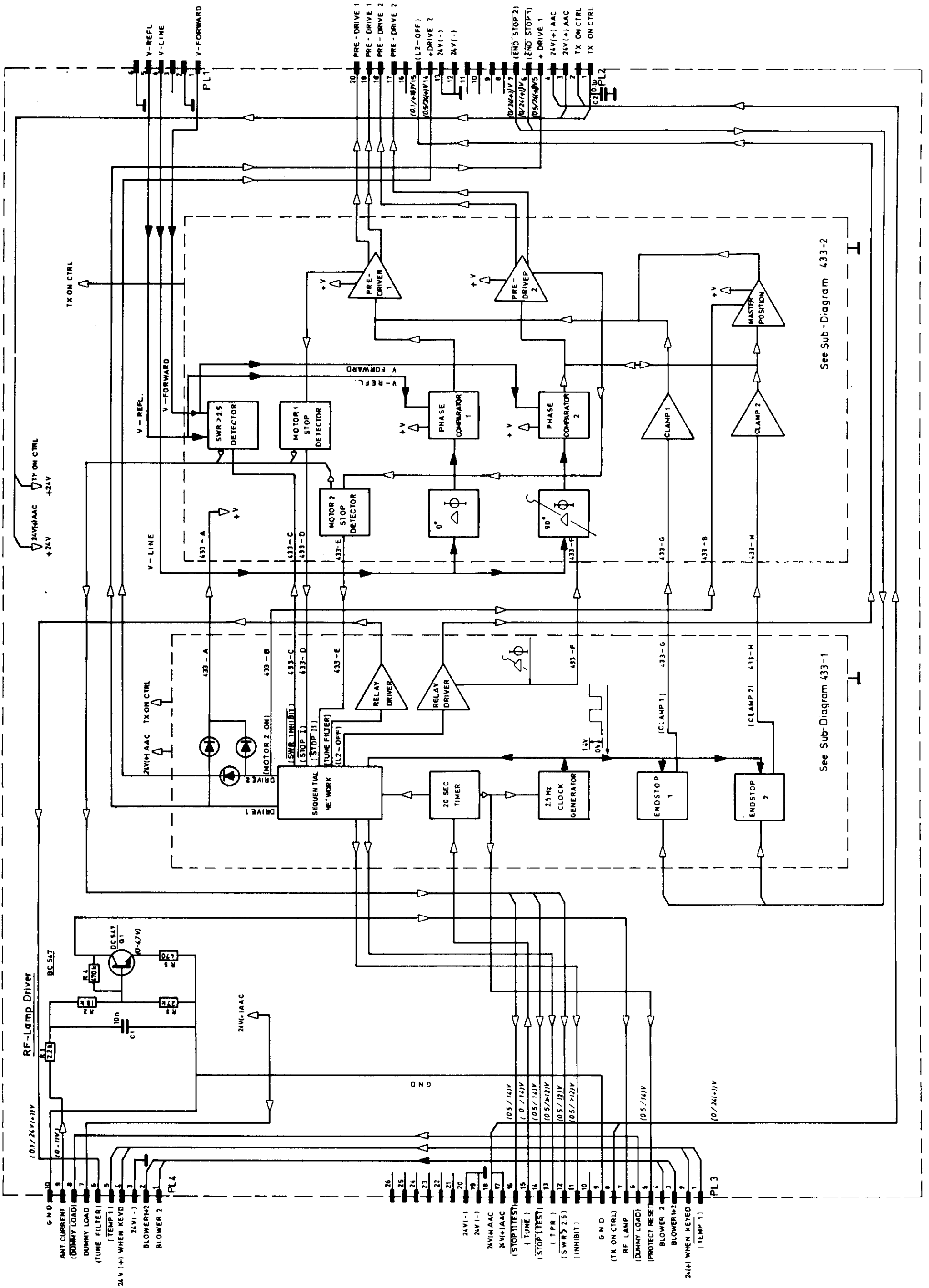




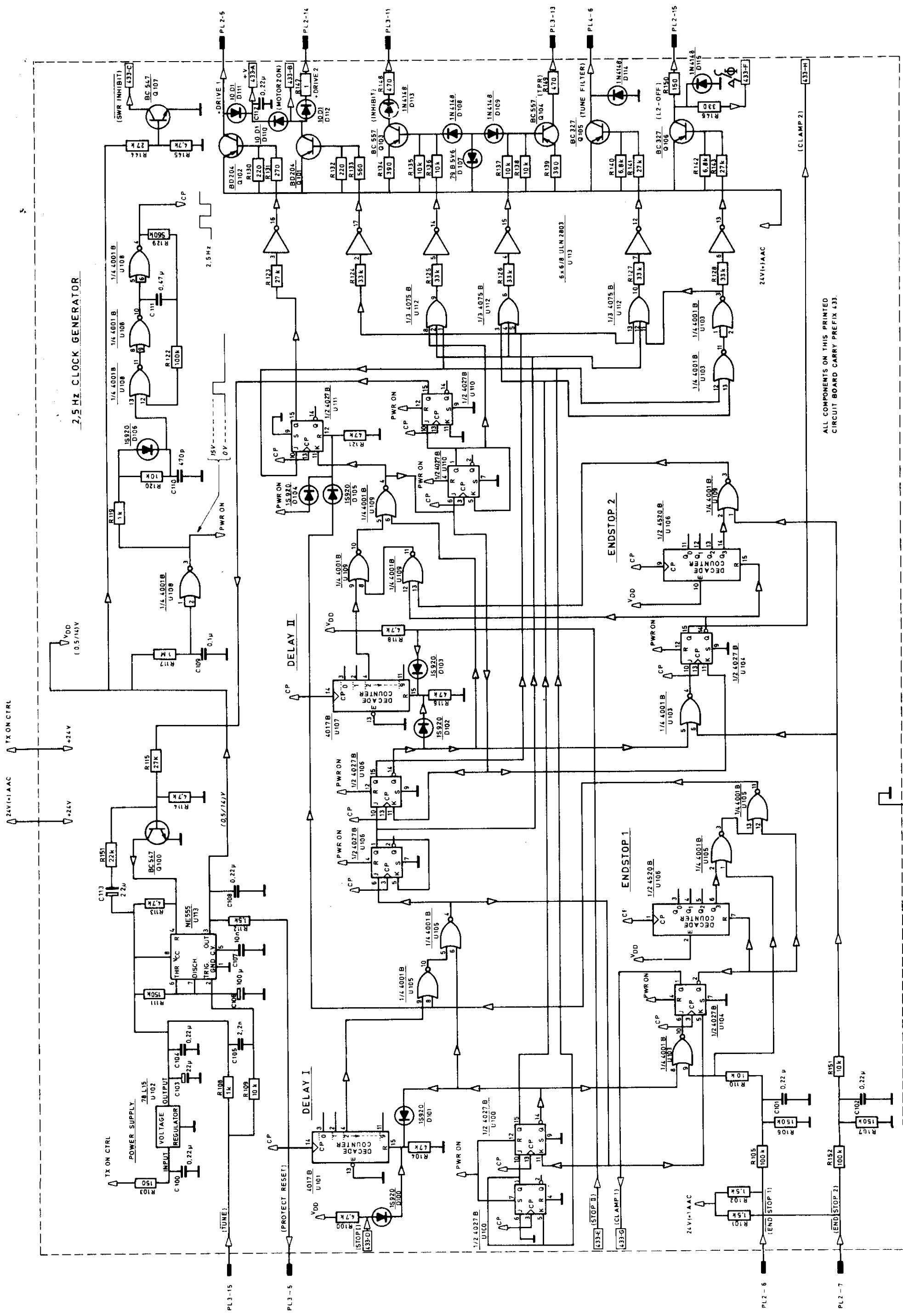
# Blower Converter 9934422



WIRING DIAGRAM, AUTOMATIC ANTENNA COUPLER

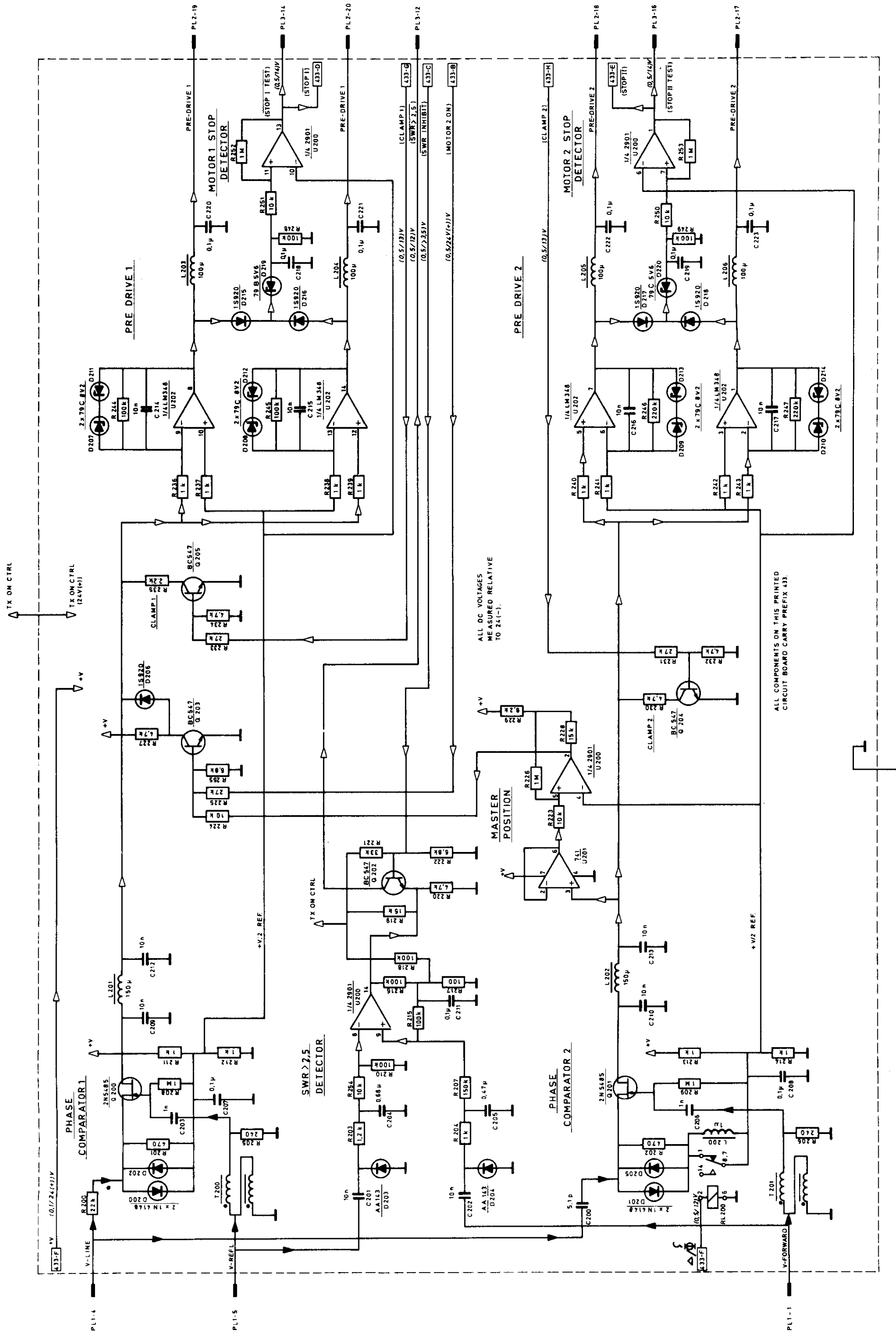


MAIN DIAGRAM  
TUNE CONTROL BOARD 993 4 433



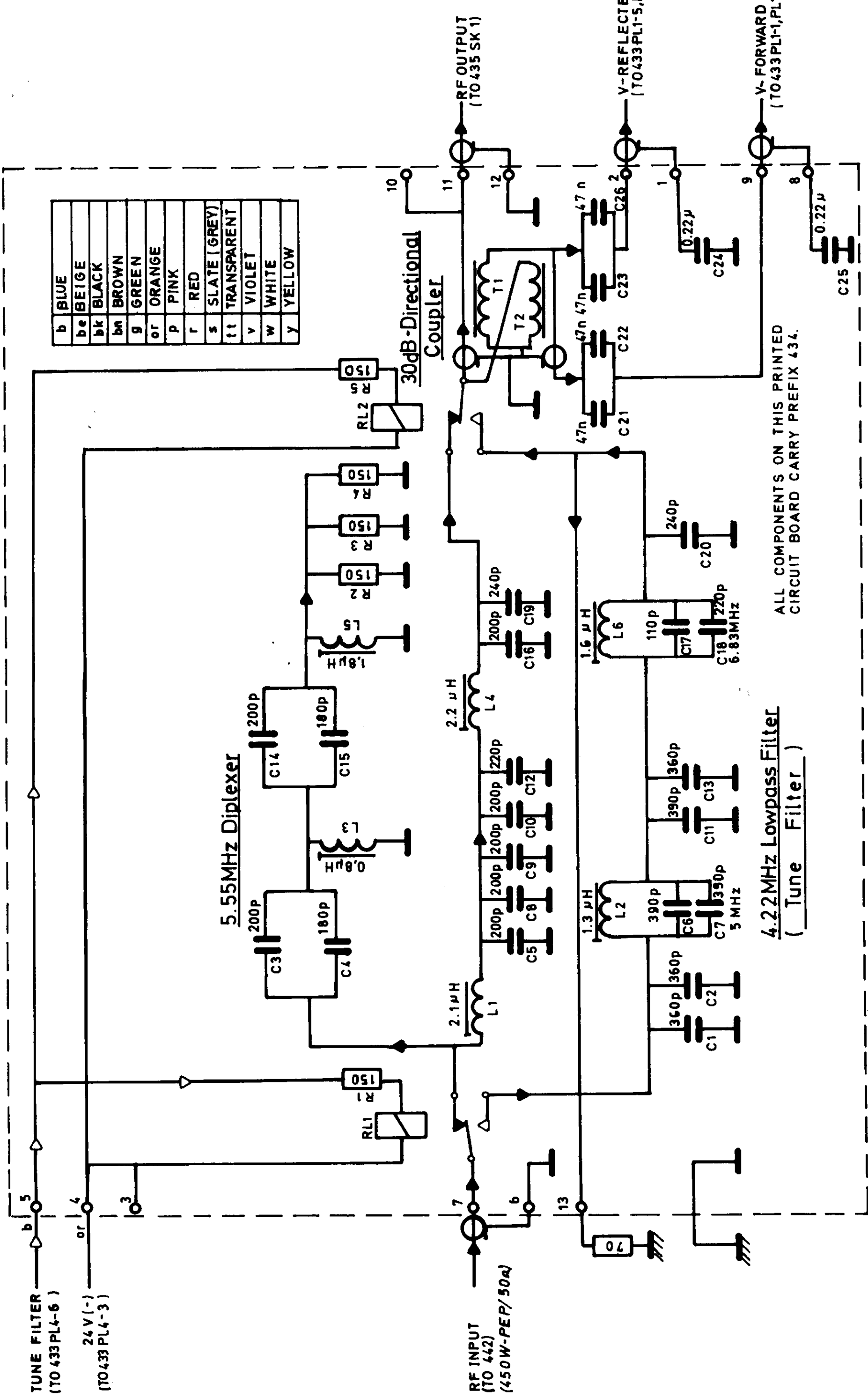
2.5 Hz CLOCK GENERATOR

ALL COMPONENTS ON THIS PRINTED  
CIRCUIT BOARD CARRY PREFIX 433.



433 Sub Diagram 2



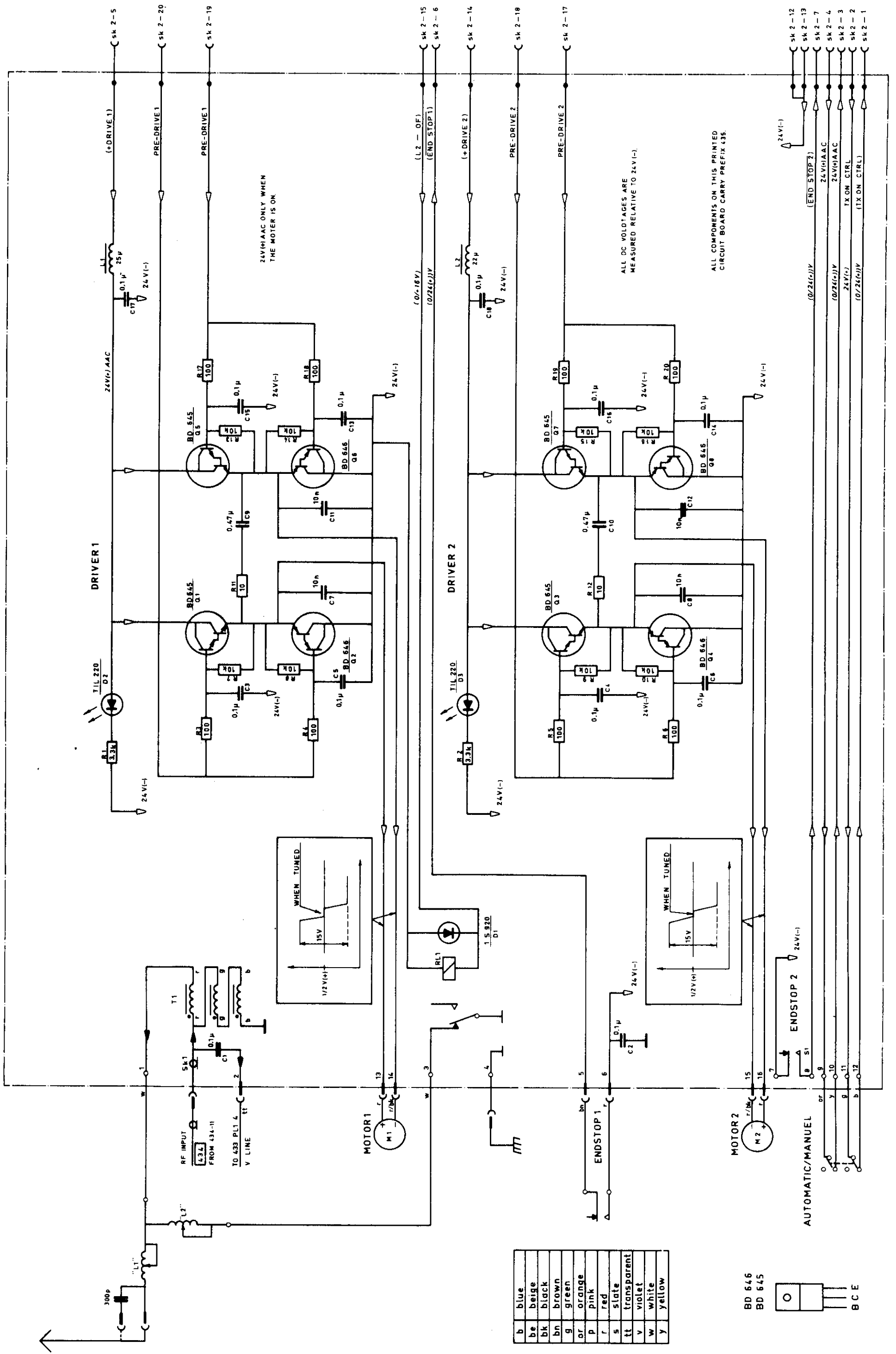


b	BLUE
be	BEIGE
bk	BLACK
br	BROWN
g	GREEN
or	ORANGE
p	PINK
r	RED
s	SLATE (GREY)
tt	TRANSPARENT
v	VIOLET
w	WHITE
y	YELLOW

ALL COMPONENTS ON THIS PRINTED  
CIRCUIT BOARD CARRY PREFIX 434.

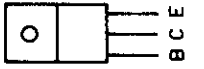
4.22MHz Lowpass Filter  
( Tune Filter )

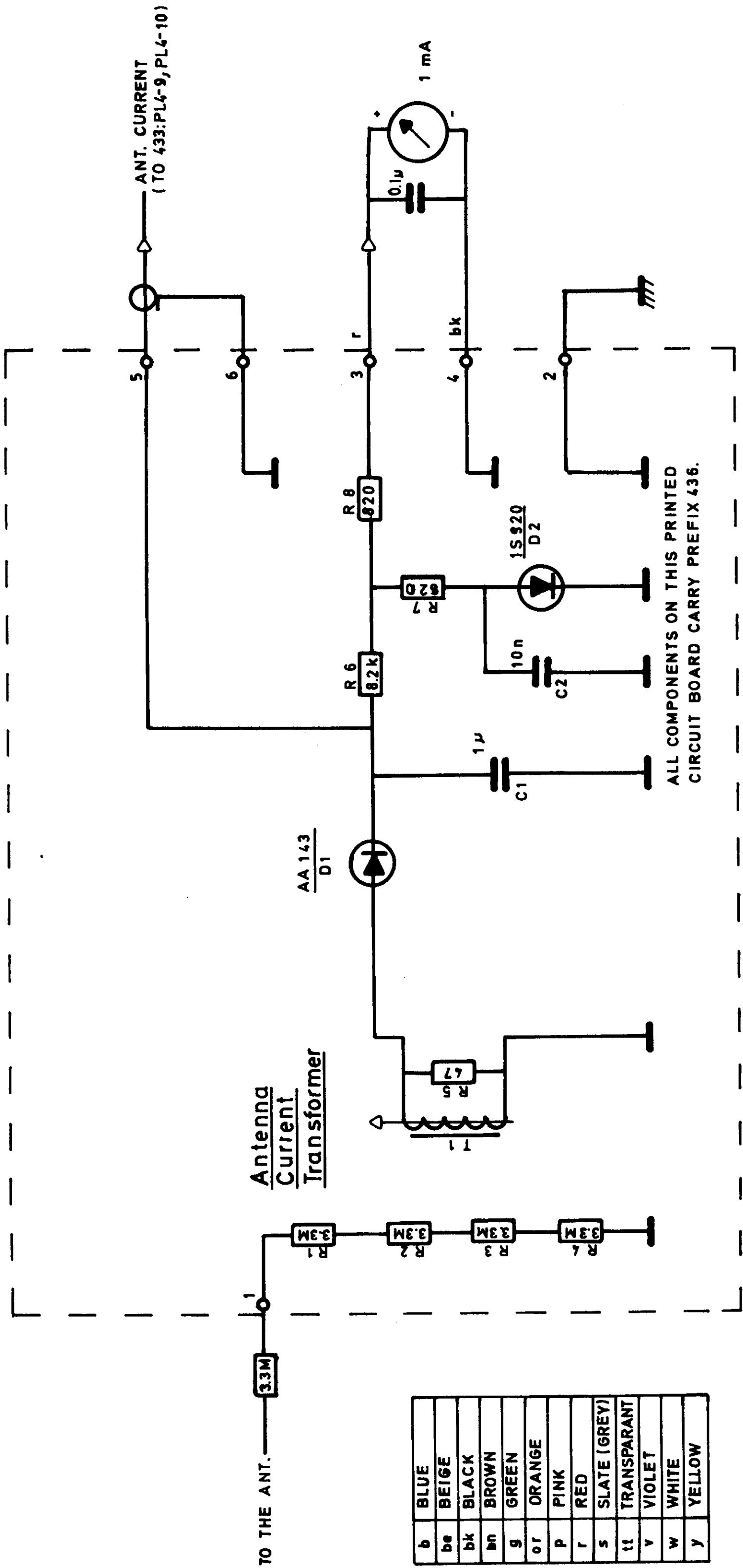
LP-FILTER 993 4 434①



b	blue
be	beige
bk	black
bn	brown
g	green
or	orange
p	pink
r	red
s	slate
tt	transparent
v	violet
w	white
y	yellow

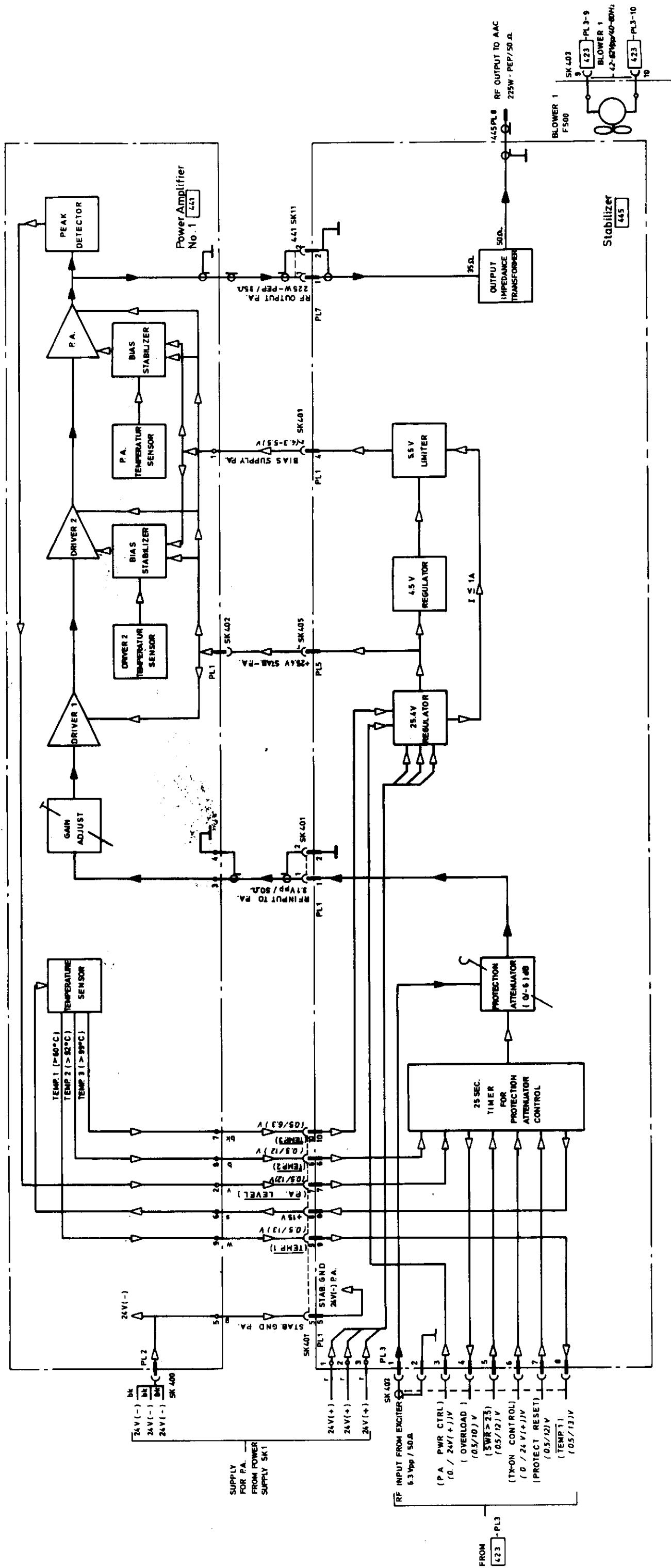
BD 646  
BD 645



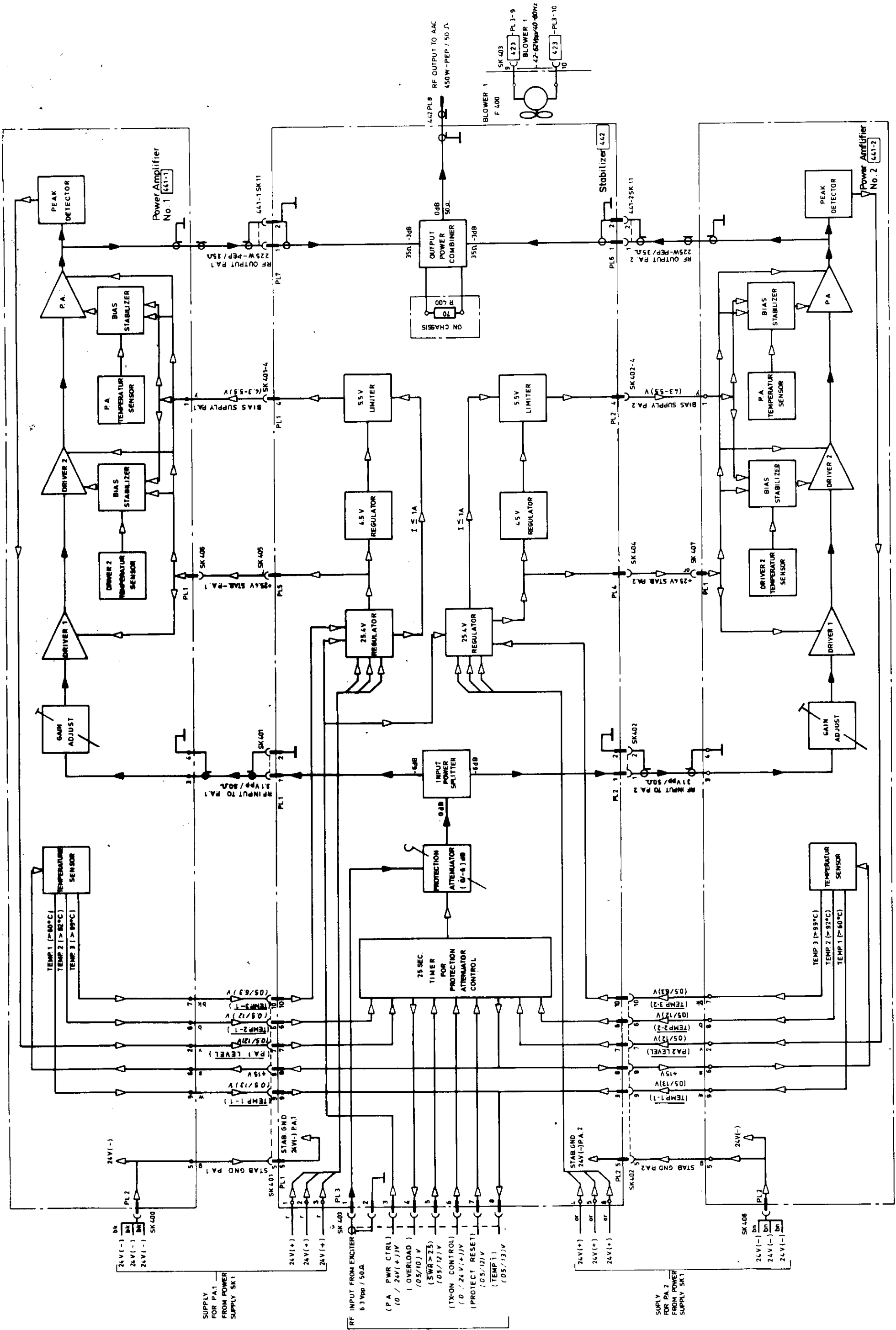


b	BLUE
be	BEIGE
bk	BLACK
bn	BROWN
g	GREEN
or	ORANGE
p	PINK
r	RED
s	SLATE (GREY)
tt	TRANSPARENT
v	VIOLET
w	WHITE
y	YELLOW

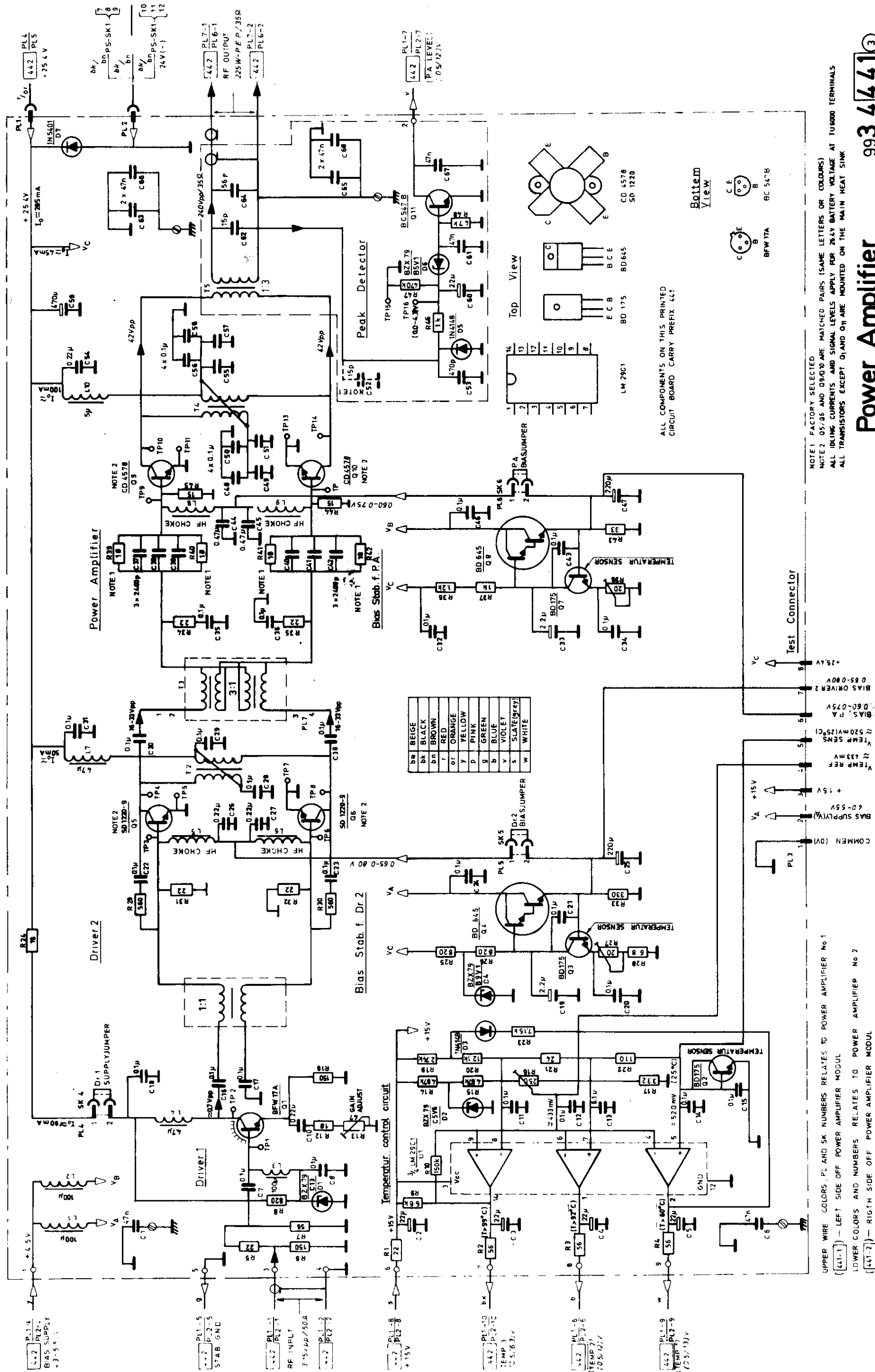
METER CIRCUIT 993 4 436 ①



WIRING DIAGRAM, POWER AMPLIFIER MODULE (200W)



WIRING DIAGRAM, POWER AMPLIFIER MODULE (400W)



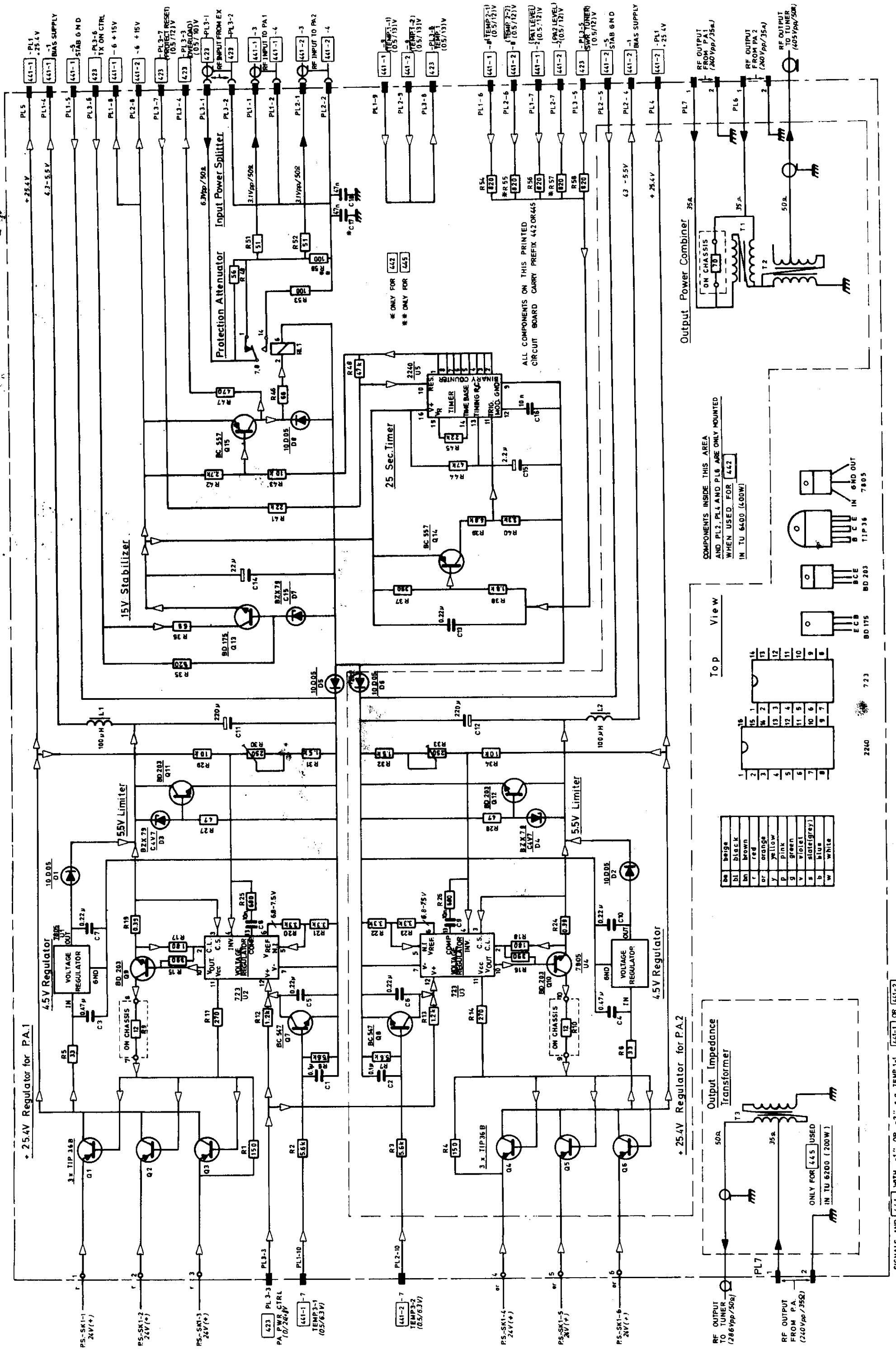
# Power Amplifier

993 4441

NOTE 1: FACTORY SELECTED  
 NOTE 2: 05/05 AND 09/09 ARE MATCHED PAIRS (SAME LETTERS OR COLORS)  
 ALL LEAD CURRENTS AND SIGNAL LEVELS APPLY FOR 26.4V BATTERY VOLTAGE AT TUGOOD TERMINALS  
 ALL TRANSISTORS EXCEPT Q1 AND Q2 ARE MOUNTED ON THE MAIN HEAT SINK

UPPER WIRE COLORS: PL AND SK NUMBERS RELATES TO POWER AMPLIFIER No. 1  
 (441-1) — LEFT SIDE OFF POWER AMPLIFIER MODUL  
 LOWER COLORS AND NUMBERS RELATES TO POWER AMPLIFIER No. 2  
 (441-2) — RIGHT SIDE OFF POWER AMPLIFIER MODUL

ALL COMPONENTS ON THIS PRINTED  
 CIRCUIT BOARD CARRY PREFIX 441



445-1

993 442-1

Stabilizer

SIGNALS AND [441] WITH "-1" OR "-2" (e.g. TEMP 1-1, [441-1] OR [441-2]) REFER TO POWER AMPLIFIER NO.1 (LEFT) RESPECTIVELY NO.2 (RIGHT)